

TABLE OF CONTENTS

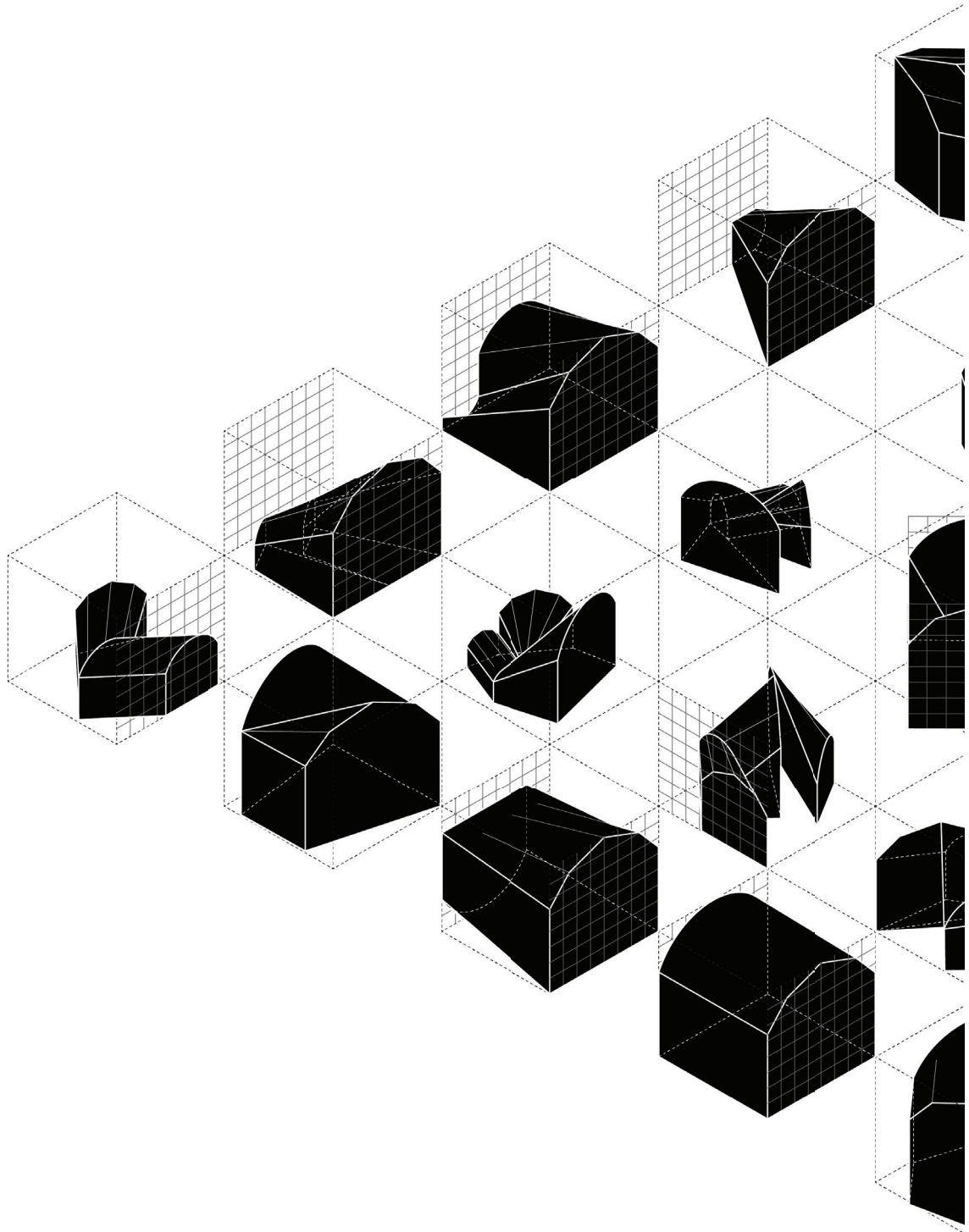
PROJECT STATEMENT	5
I. X-AXIS, OR LOFTS	7
On-Axis, Typical	
On-Axis, Multiply	
On-Axis, Orient	
On-Axis, Scale	
Off-Axis, Typical	
Off-Axis, Multiply	
Off-Axis, Orient	
Off-Axis, Scale	
II. Y-AXIS, OR CAVES AND CRUCIFORMS	30
Cruciform	
Cave	
Cruci-Cave	
III. Z-AXIS, OR TOTEMS	58

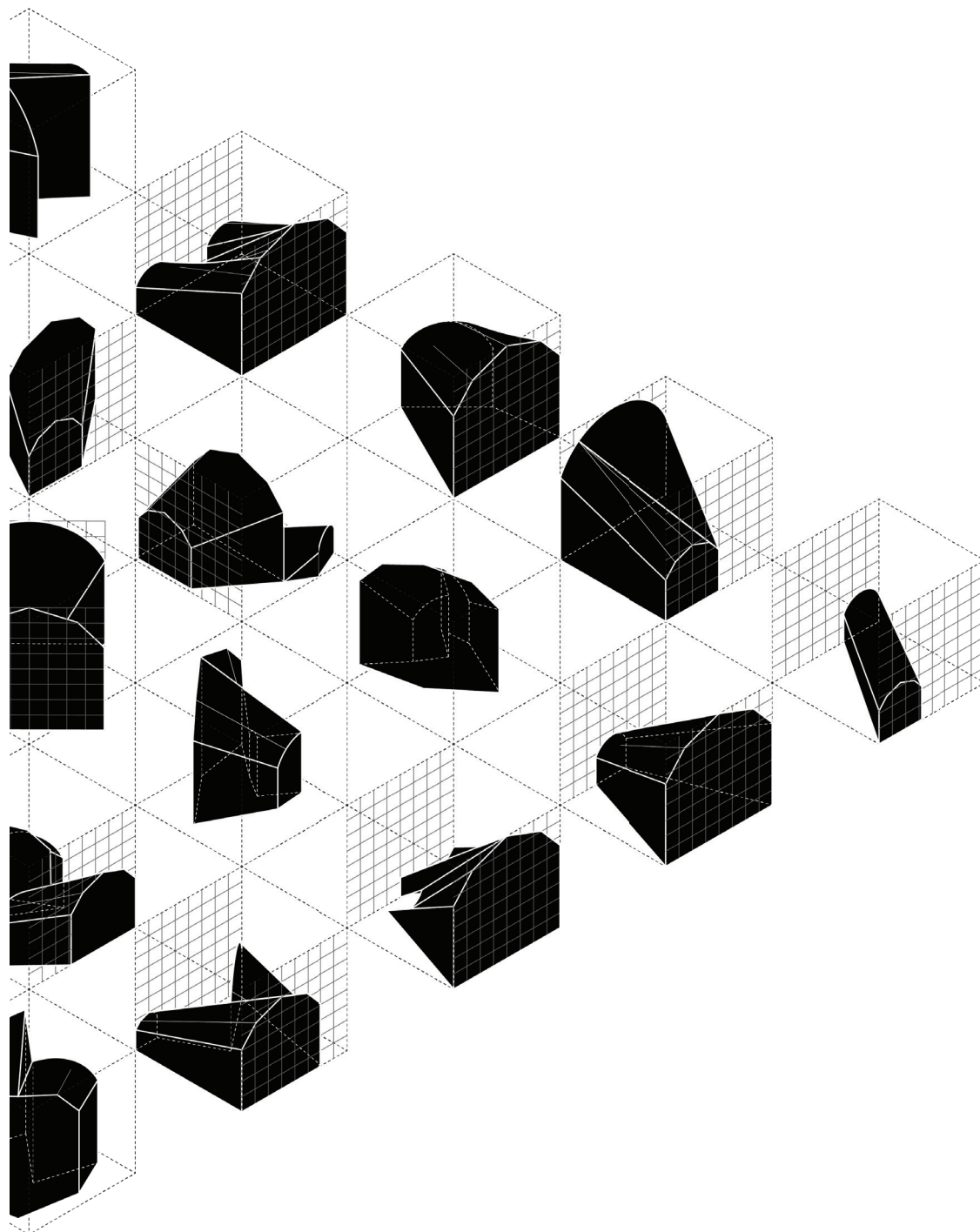
TWINS

This is an exploration of twin phenomena through fraternal, identical and conjoined twin types and dichotomous formal A-B relationships.

X

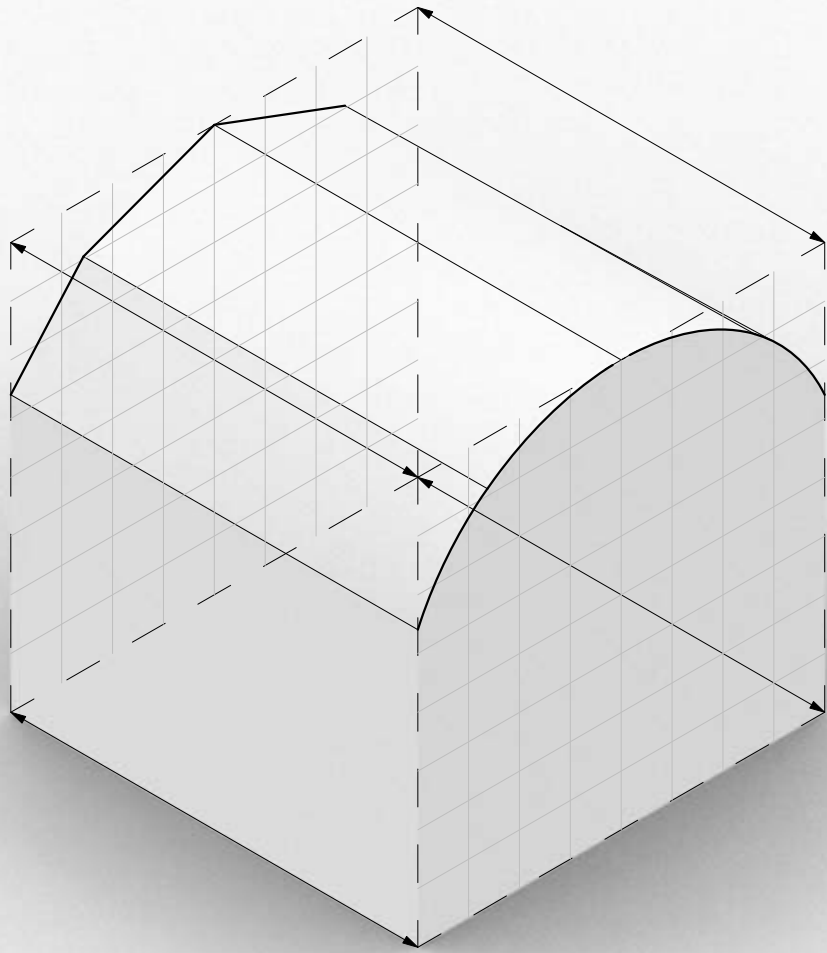
X





X

ON A-001

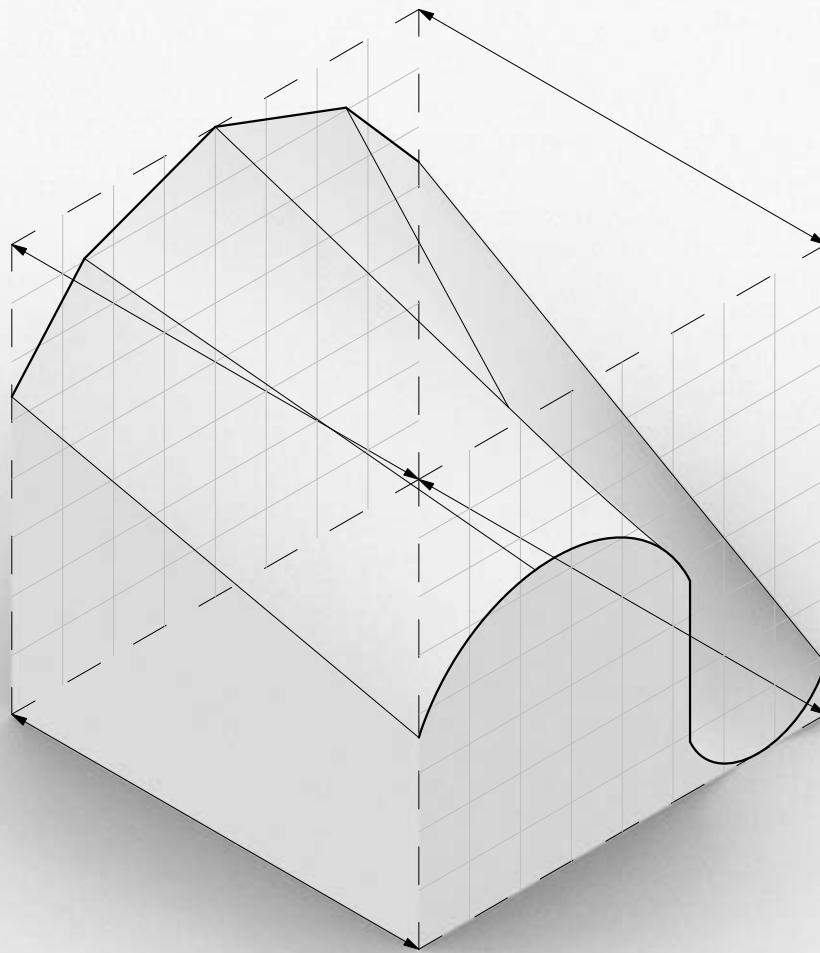


Typical
10

Dutch Arch

X

ON A-0C1

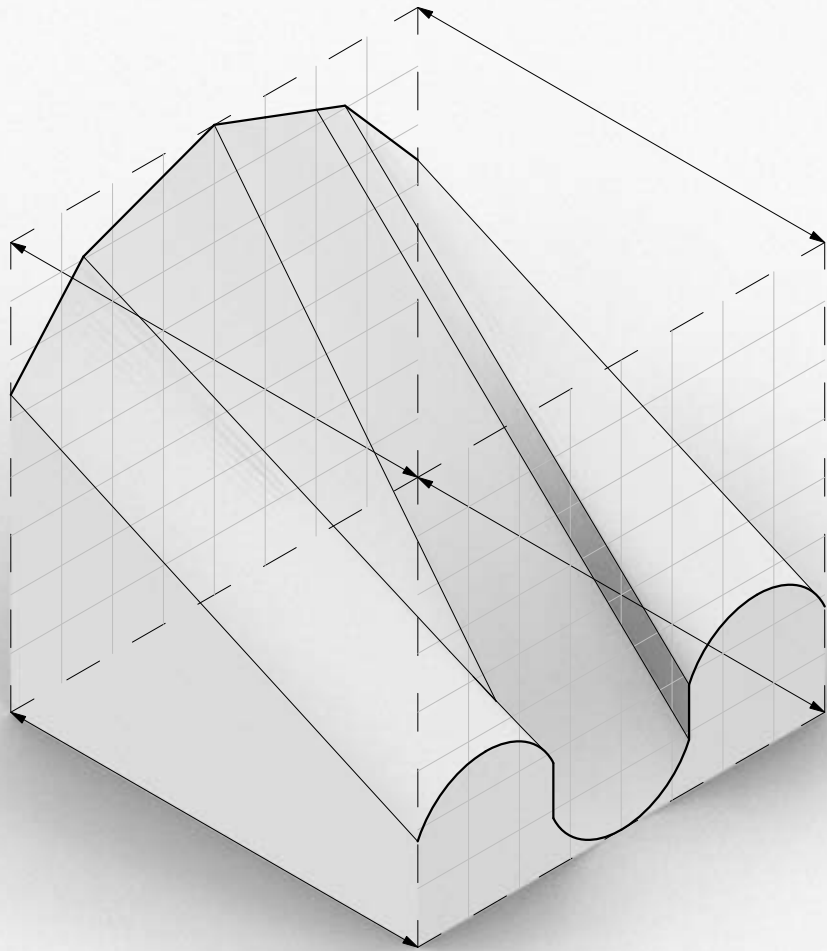


Multiply

DutchESS

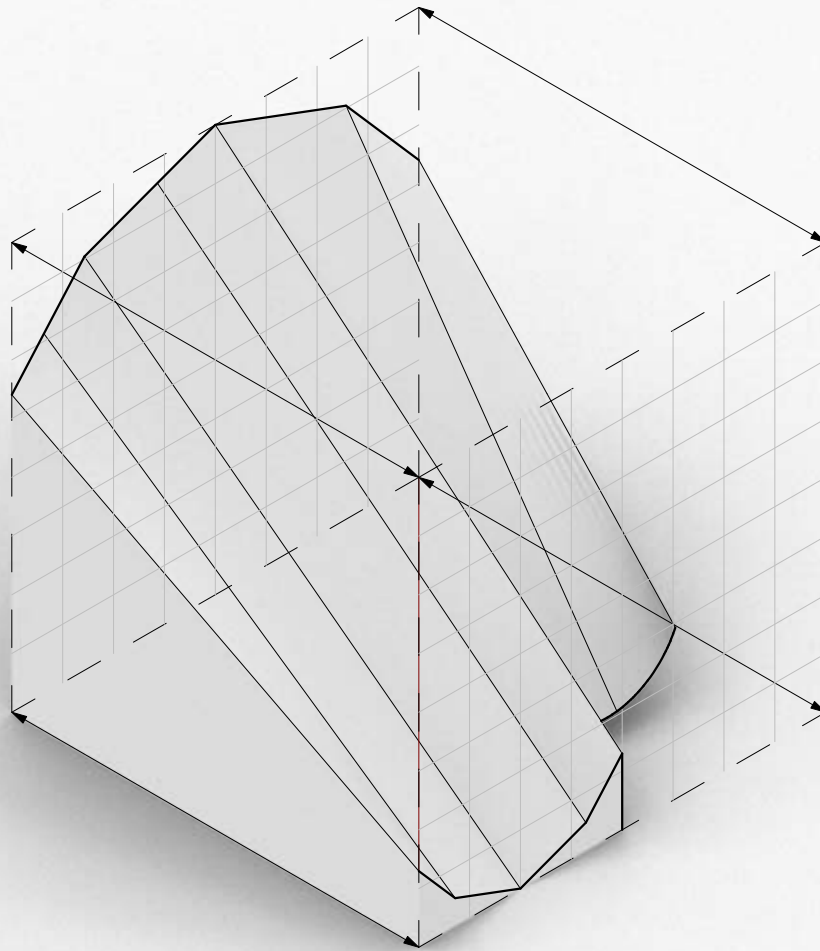
X

ON A-0C2



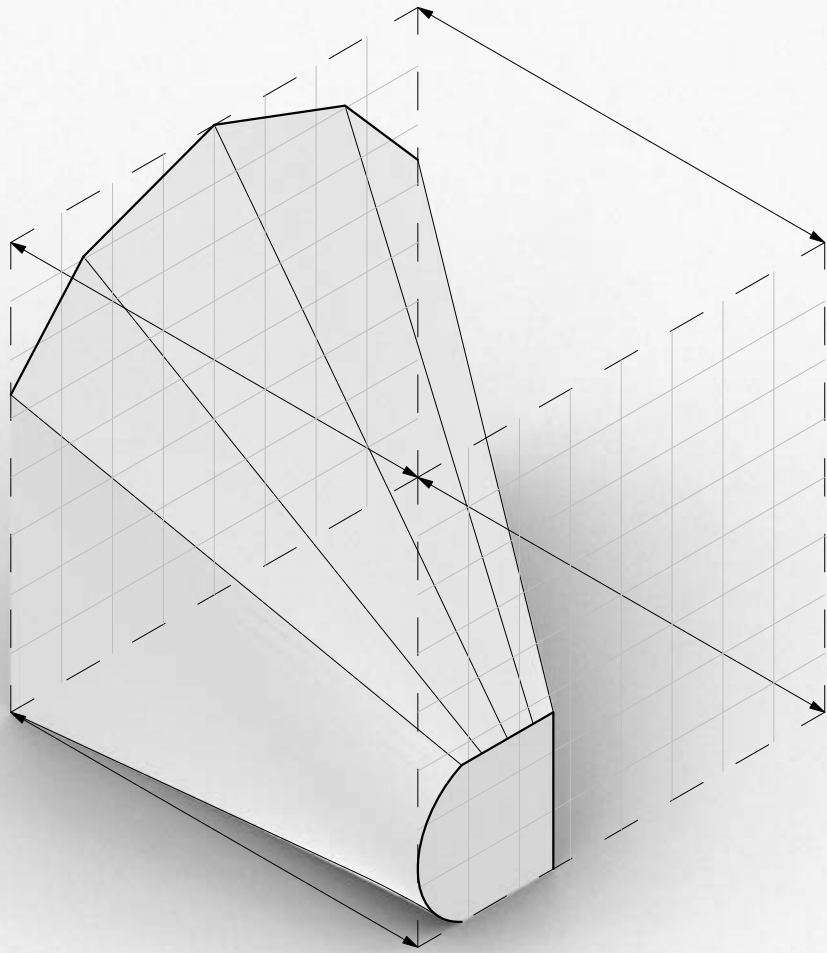
X

ON A-0C3



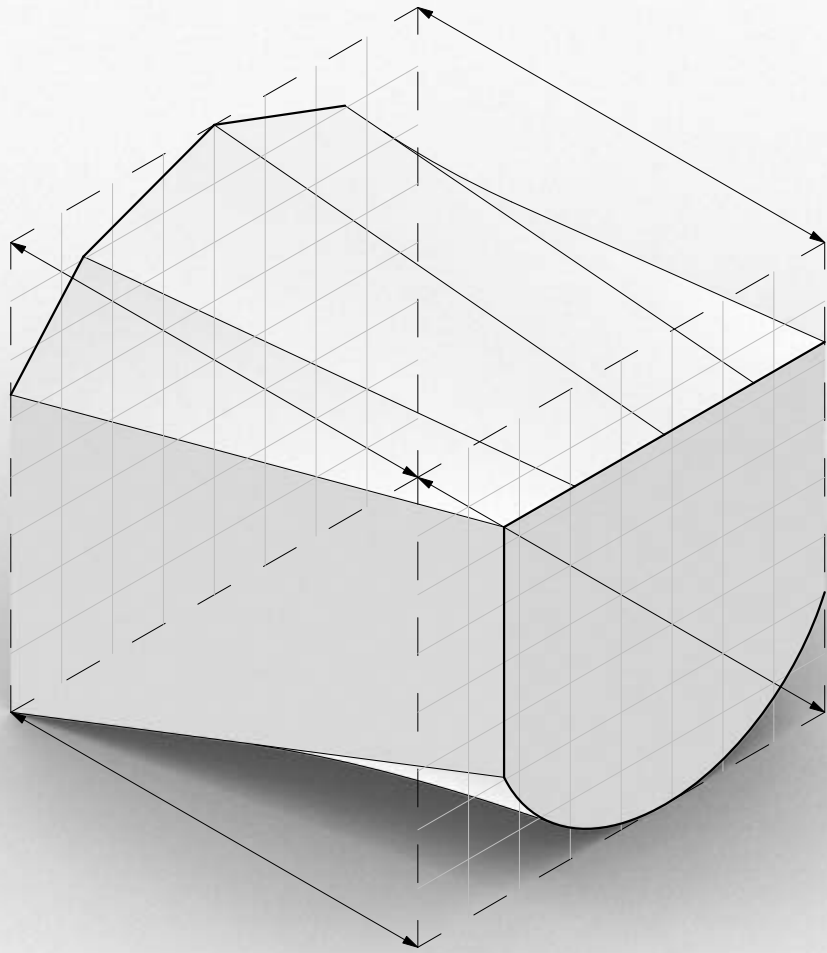
Multiply

Dutch Scoop



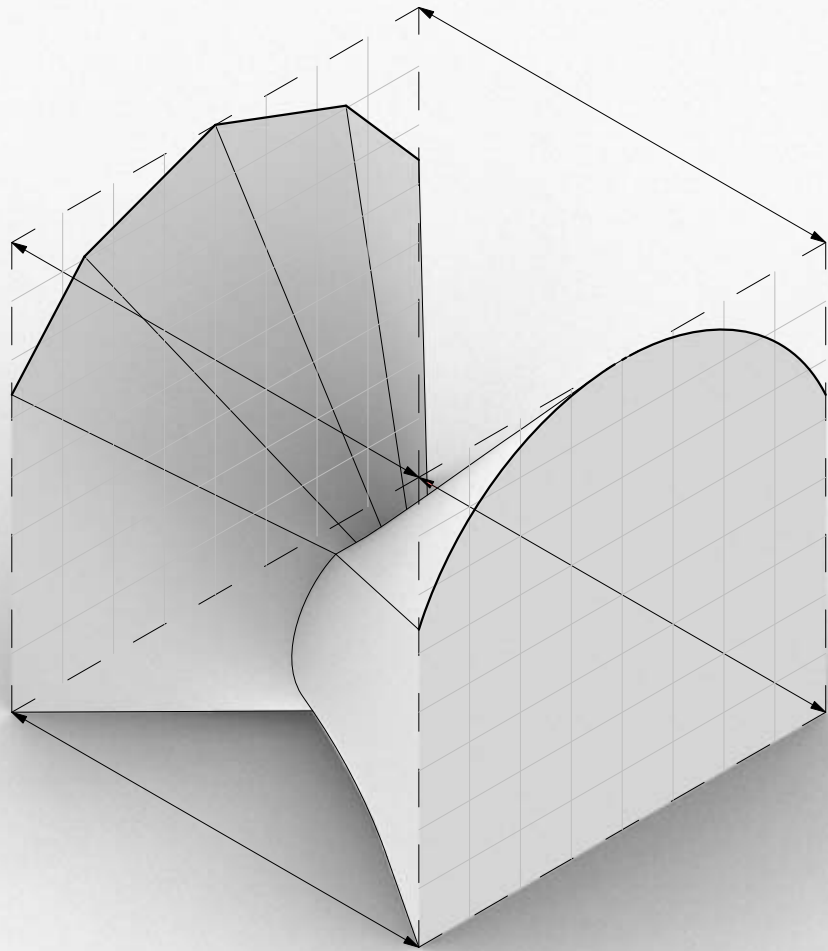
X

ON A-0B2



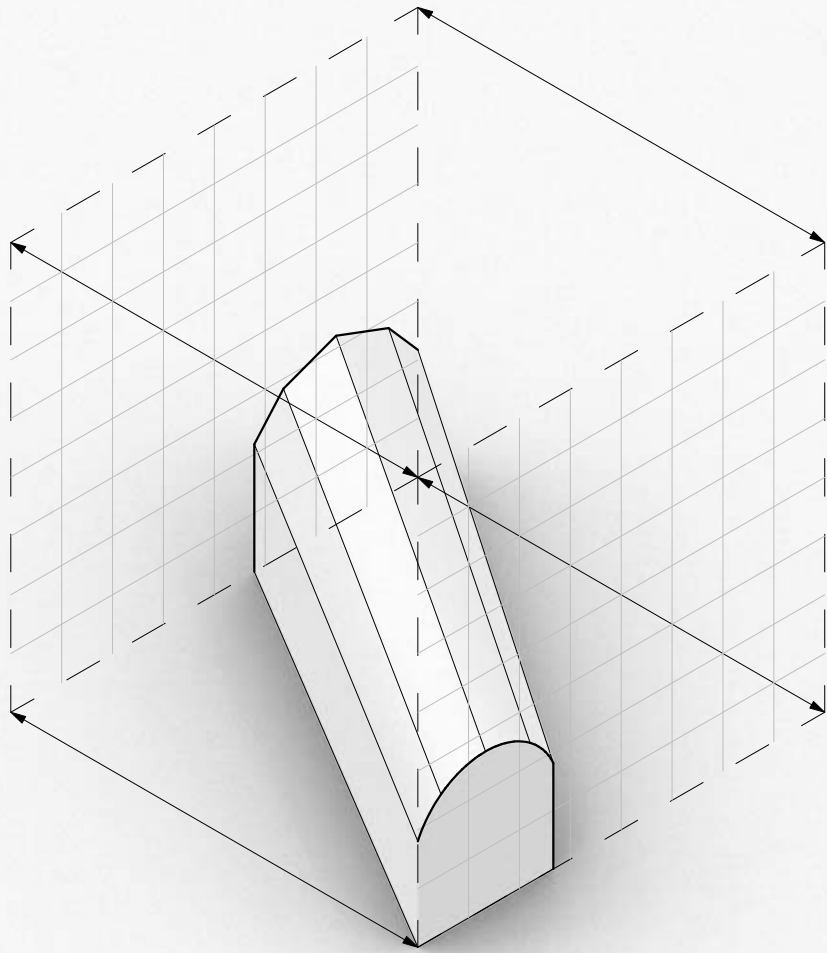
Orient

Dutch Arched Bottom



X

ON A-0A1

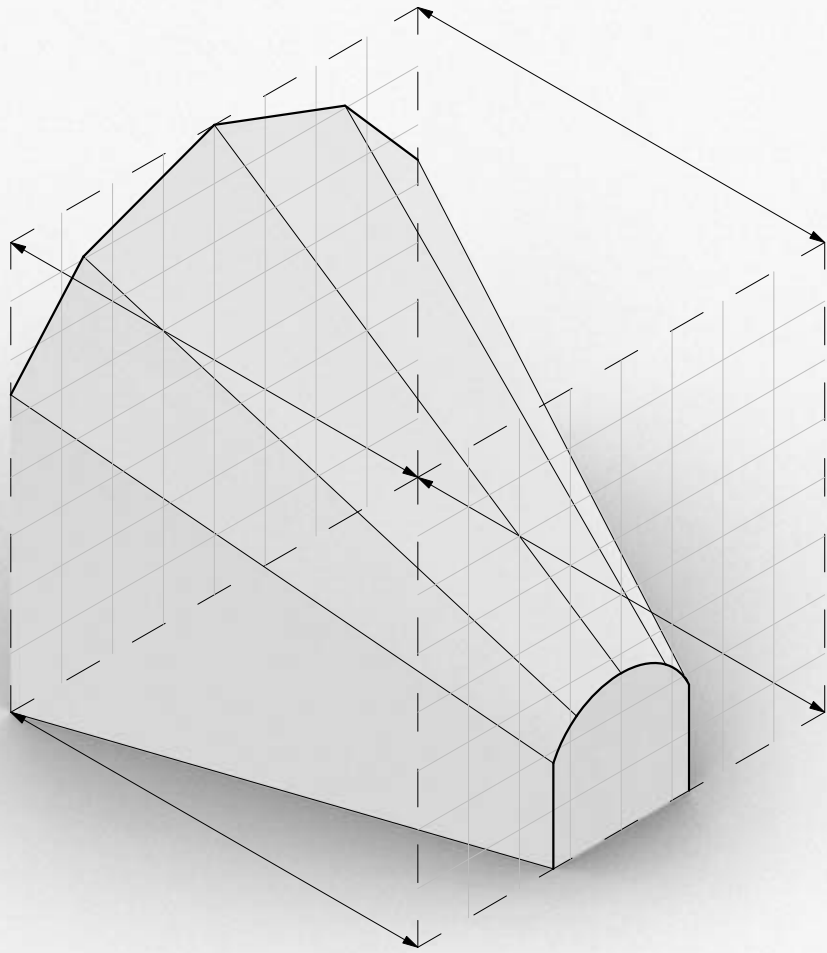


Scale

Dutch Loaf

X

ON A-0A2



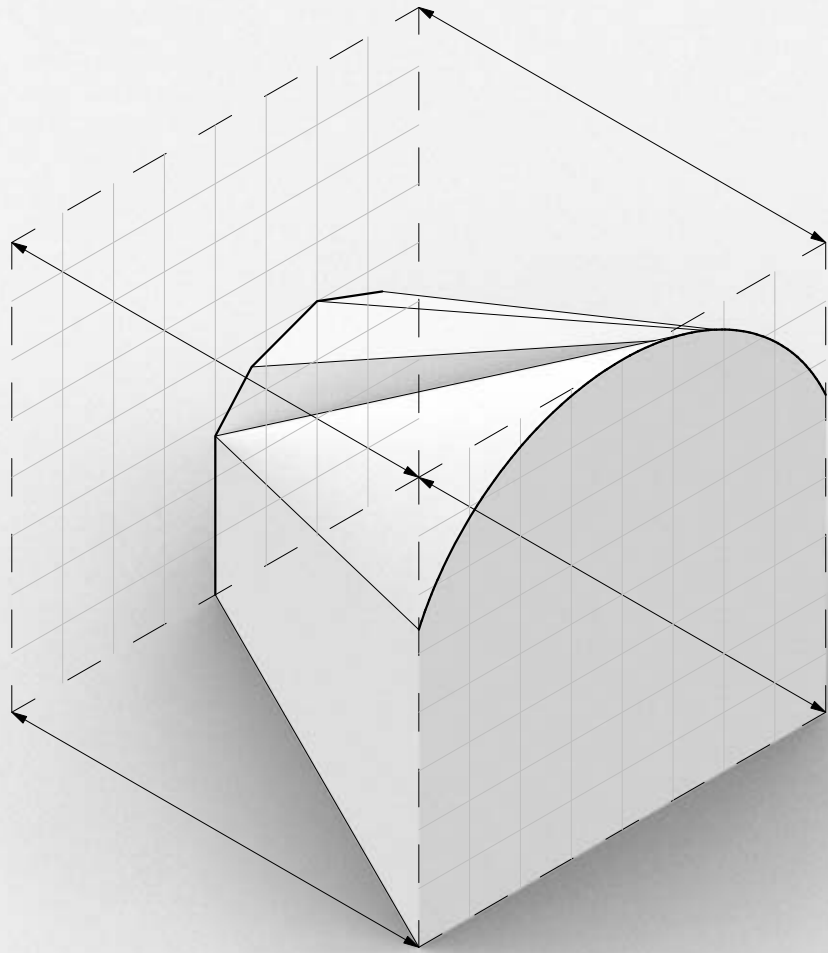
Scale

18

Dutch Wedge

X

ON A-0A3

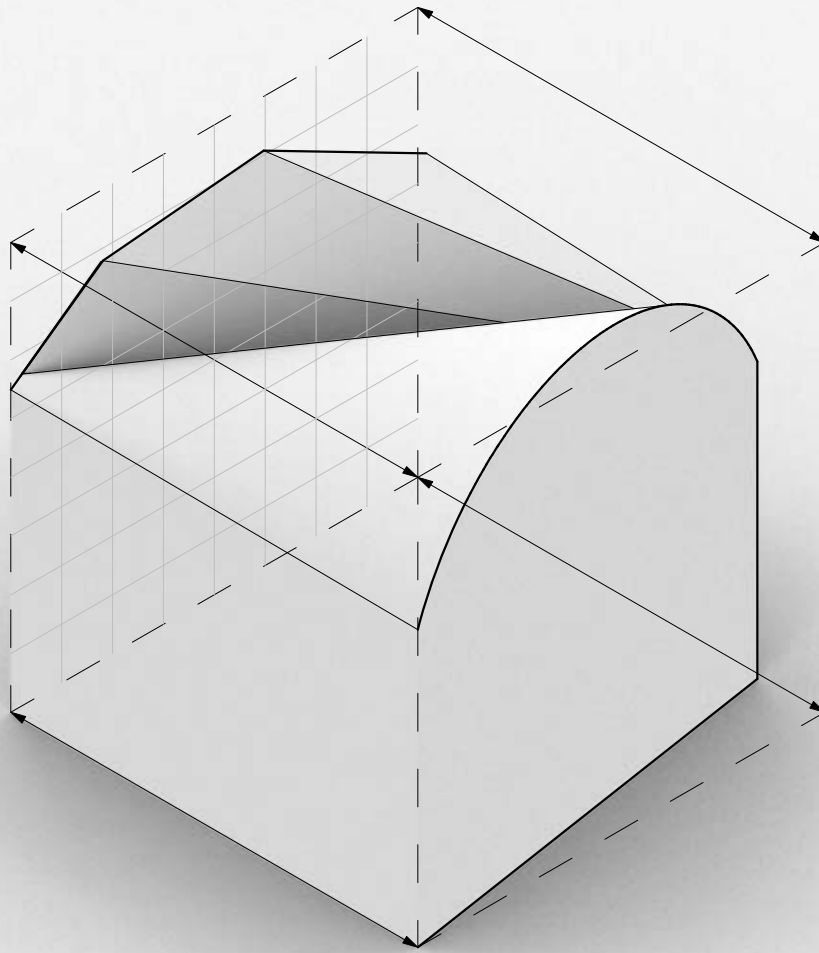


Scale

Arched Wedge

X

OFF A-002

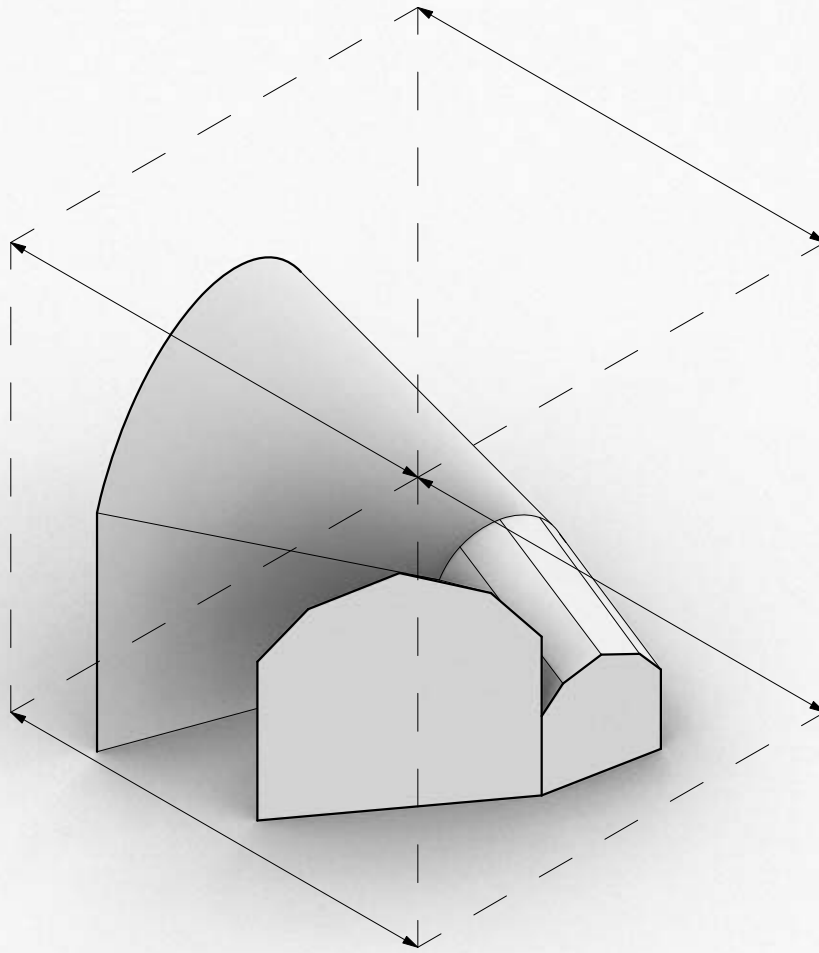


Typical
20

Tilted Dutch Arch

X

OFF A-0C1

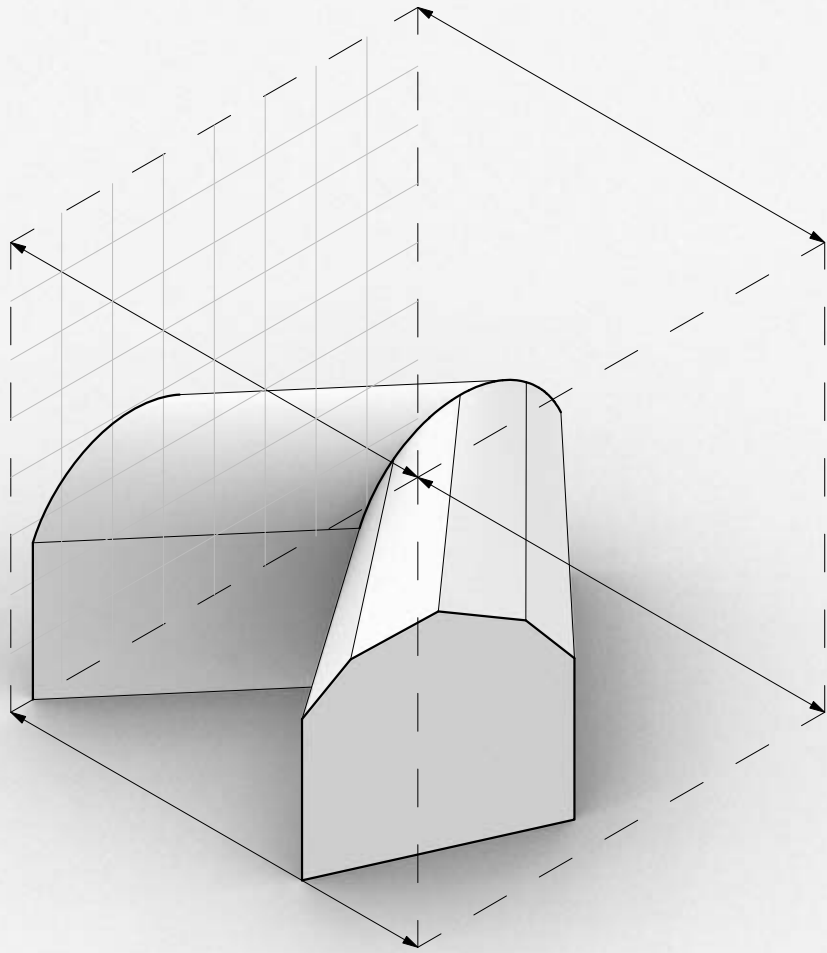


Multiply

Curled Dutches

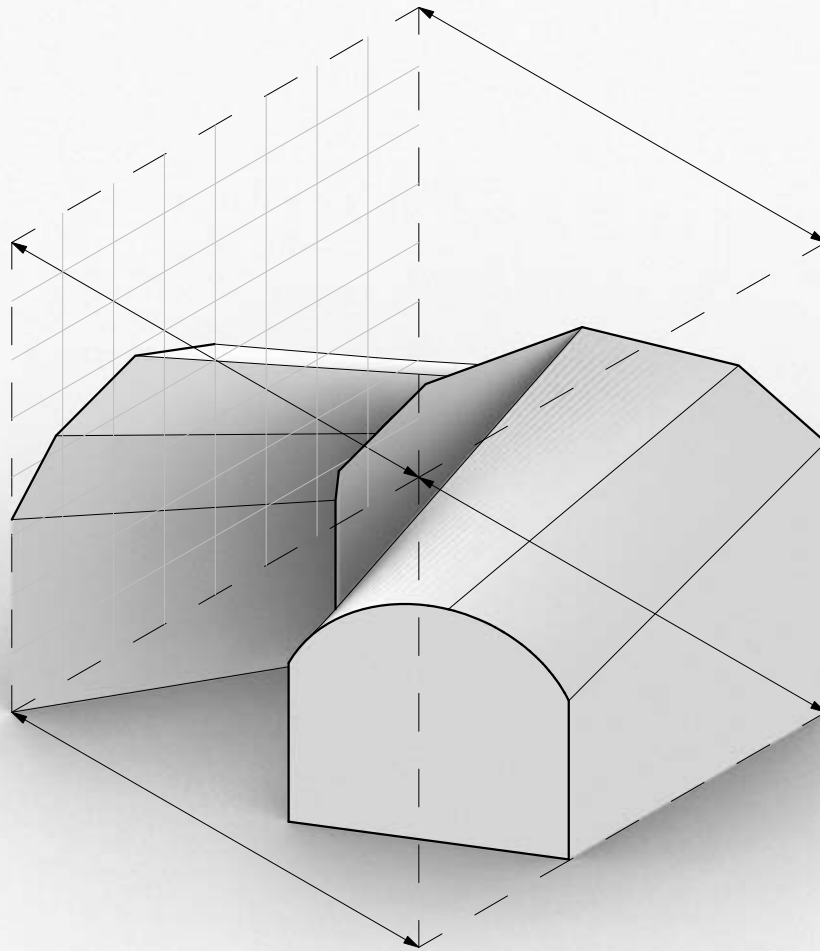
X

OFF A-0C2



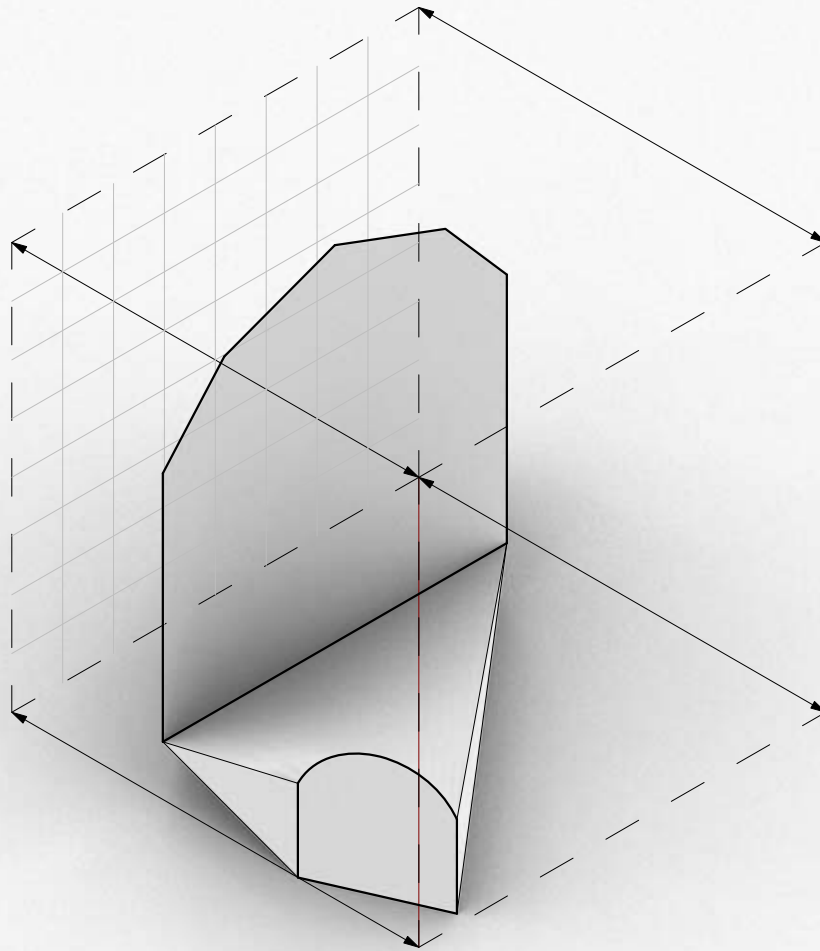
X

OFF A-0C3



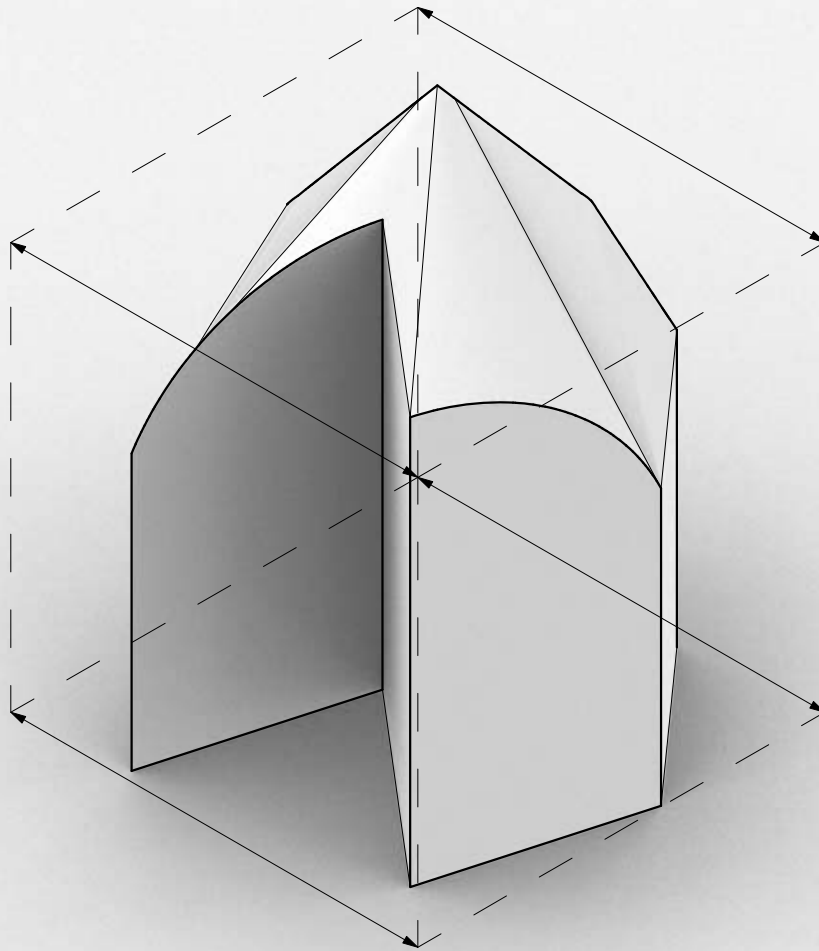
Multiply

Tripartite Dutch



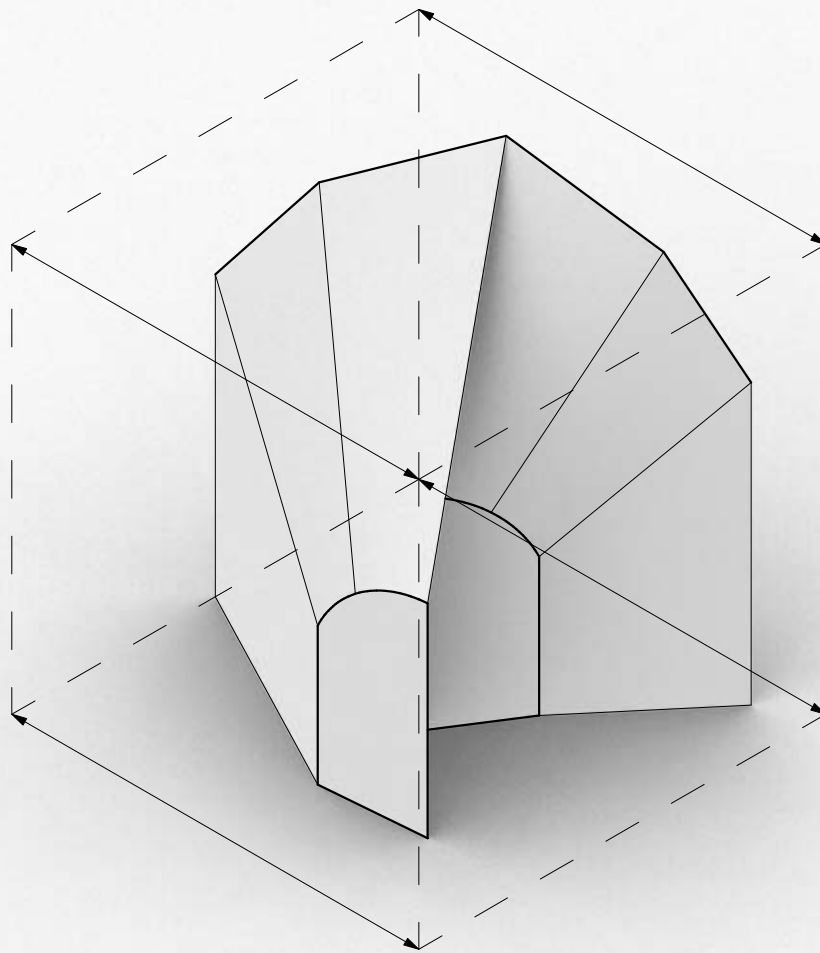
X

OFF A-0B2



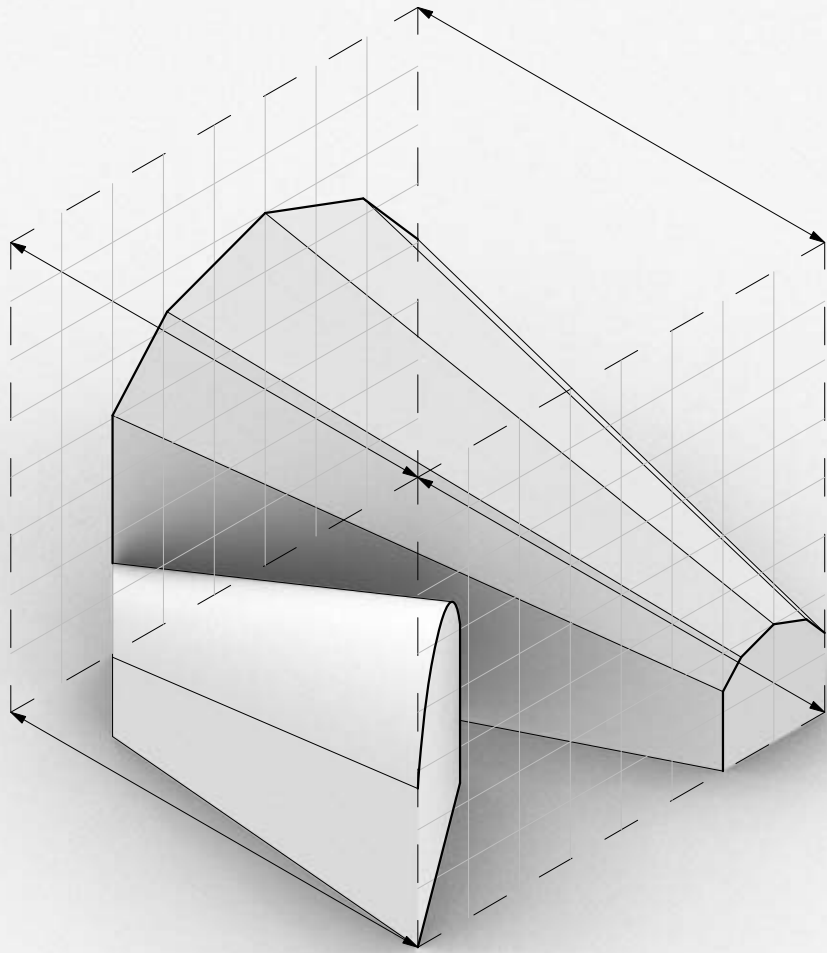
Orient

Two-Face Dutch Arch



X

OFF A-0A1

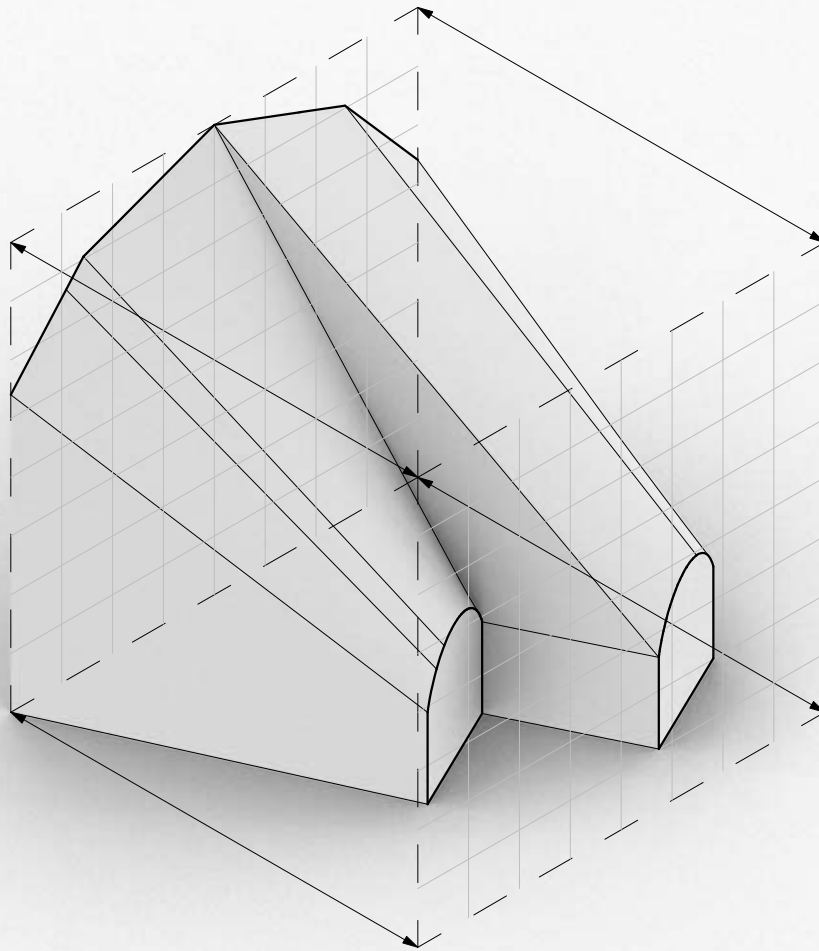


Scale

Dutch Archnemesis

X

OFF A-0A2



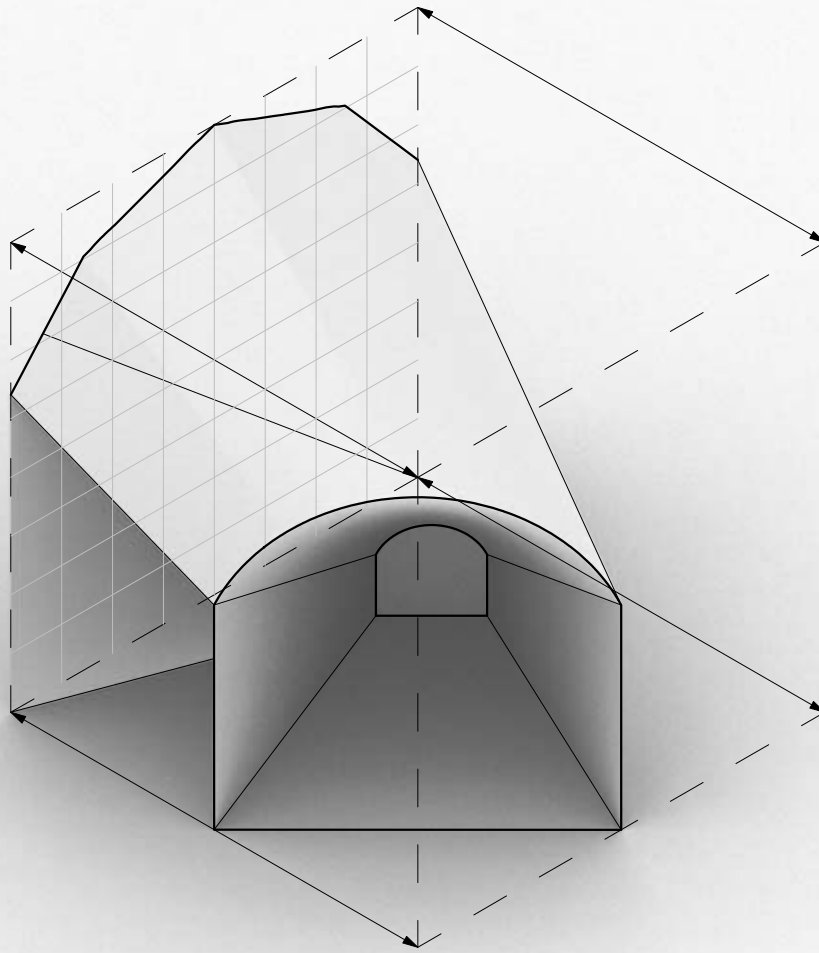
Scale

28

Dutch Neighbors

X

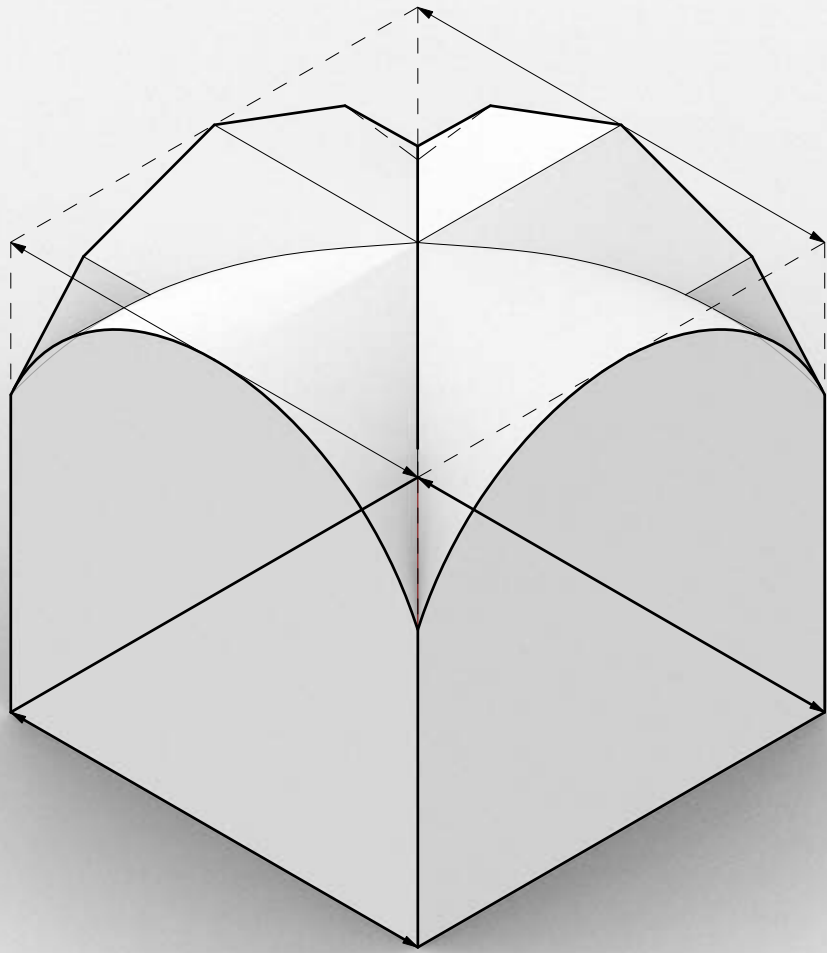
OFF A-0A3

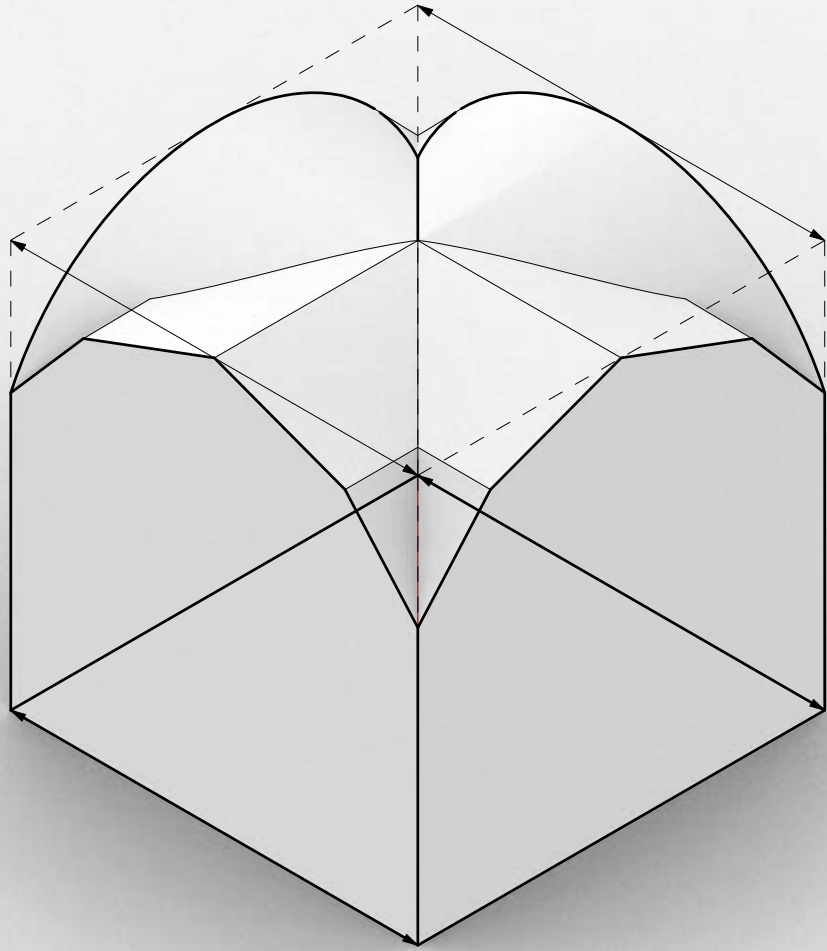


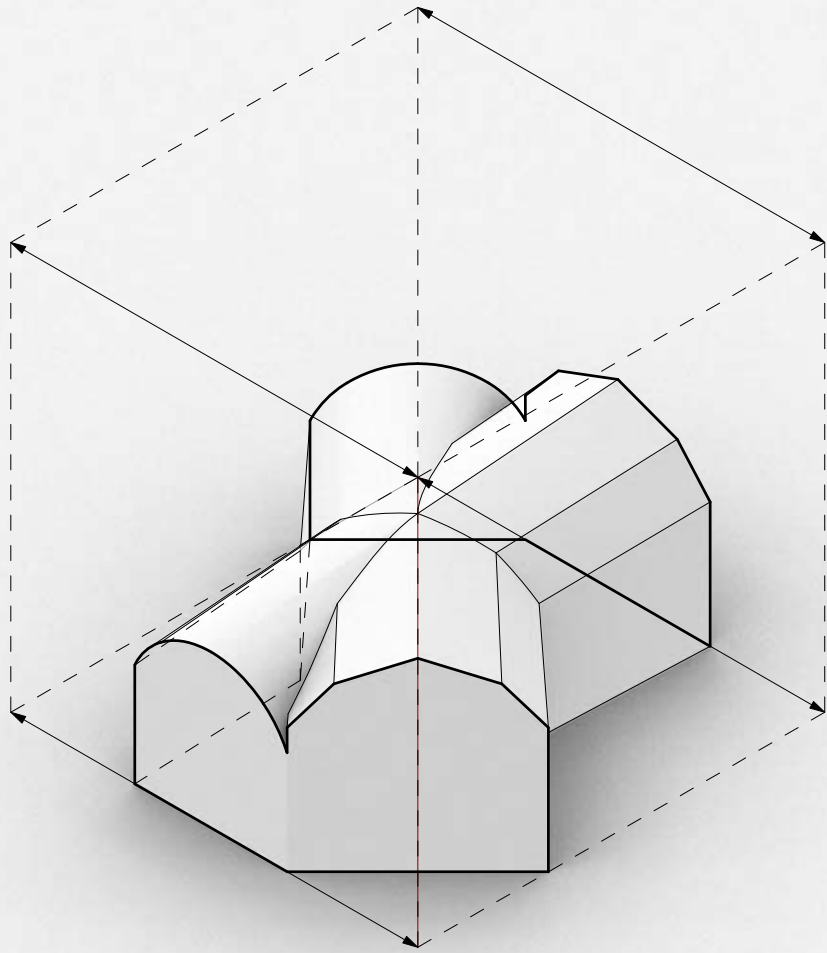
Scale

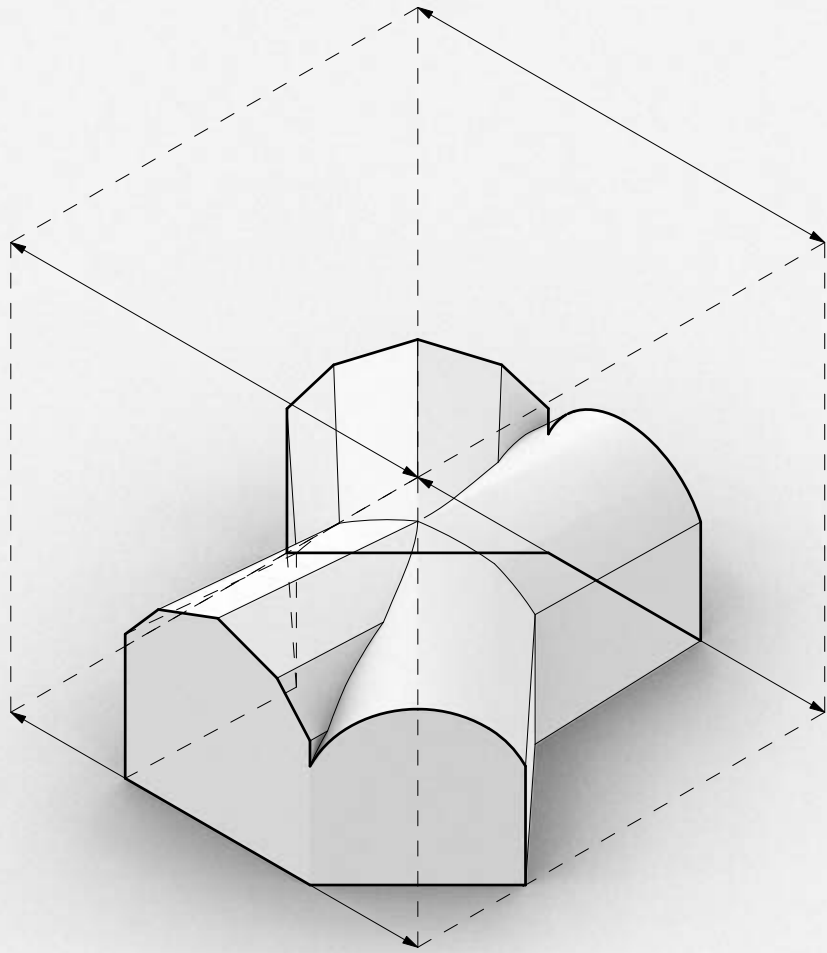
Dutch Tunnel

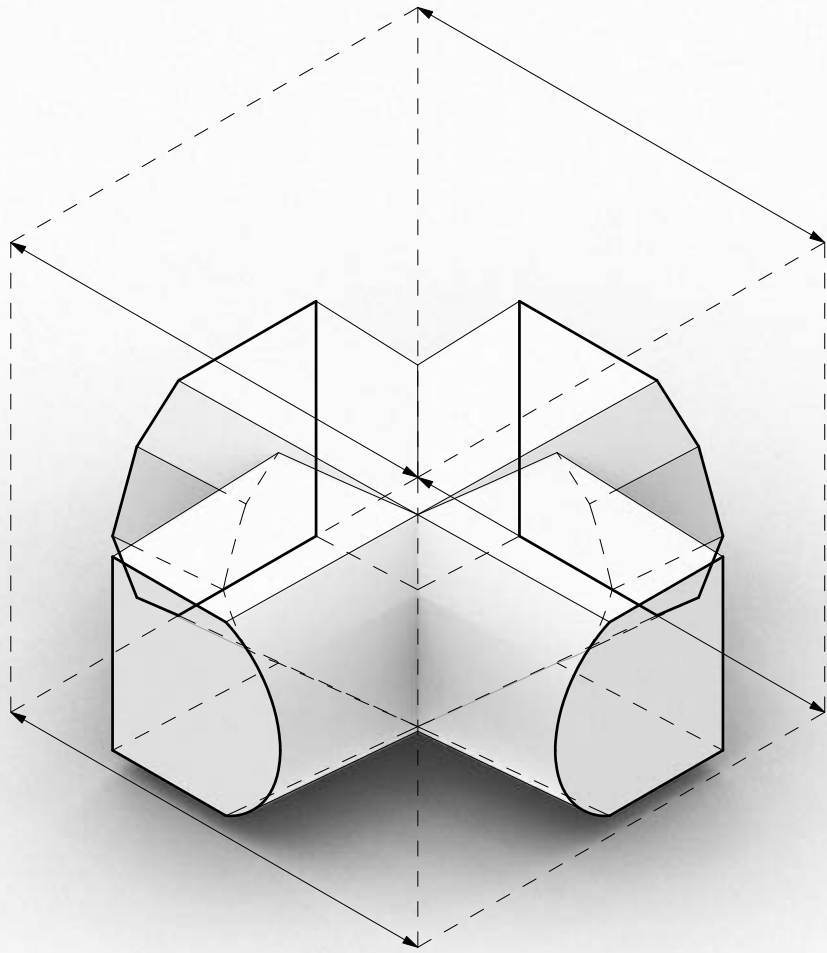
Y

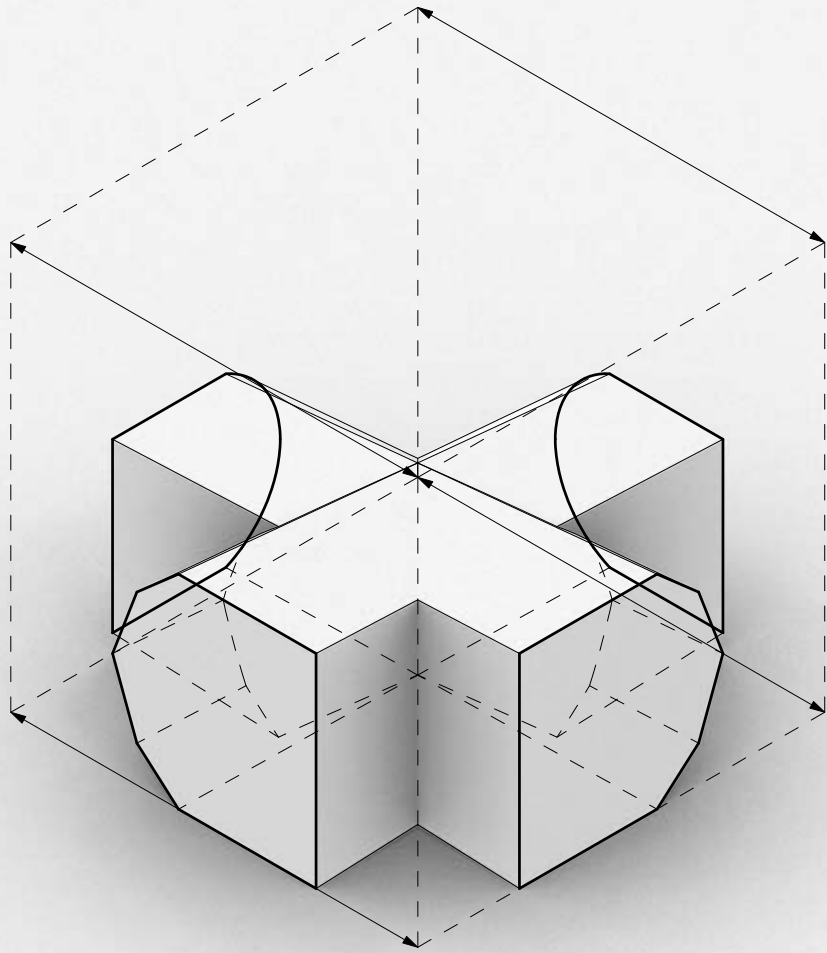


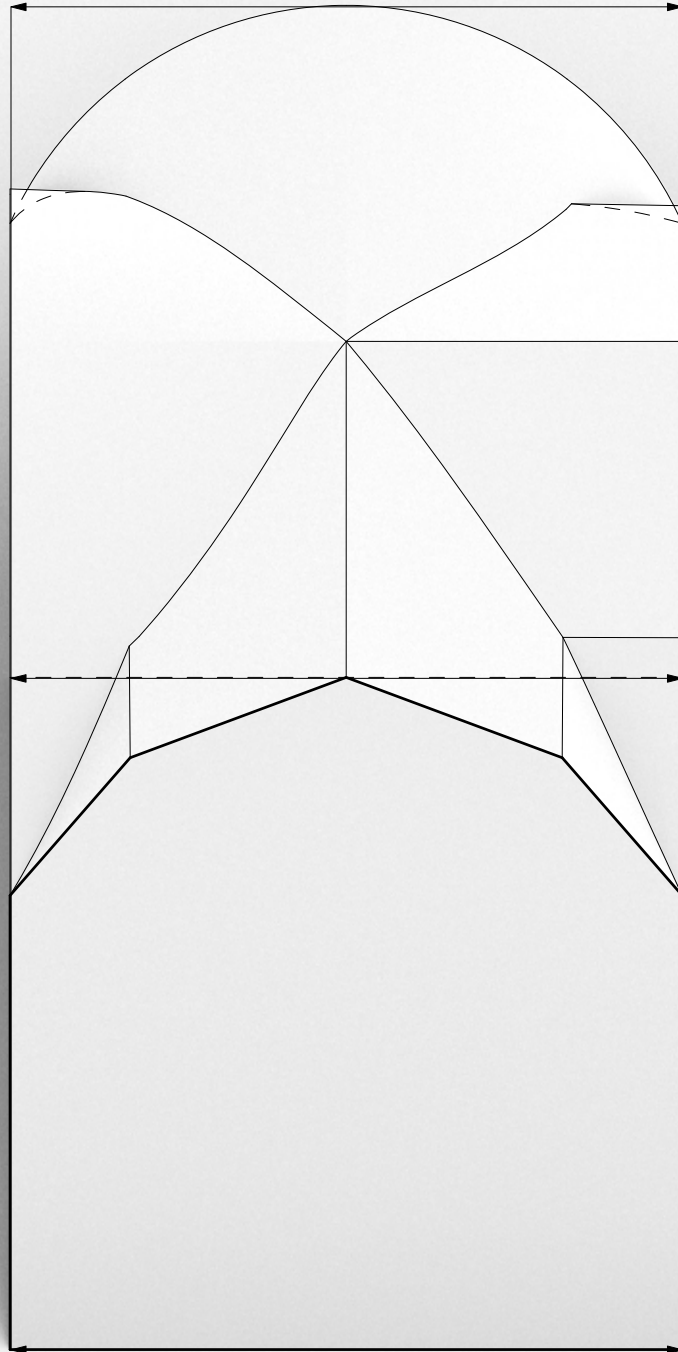


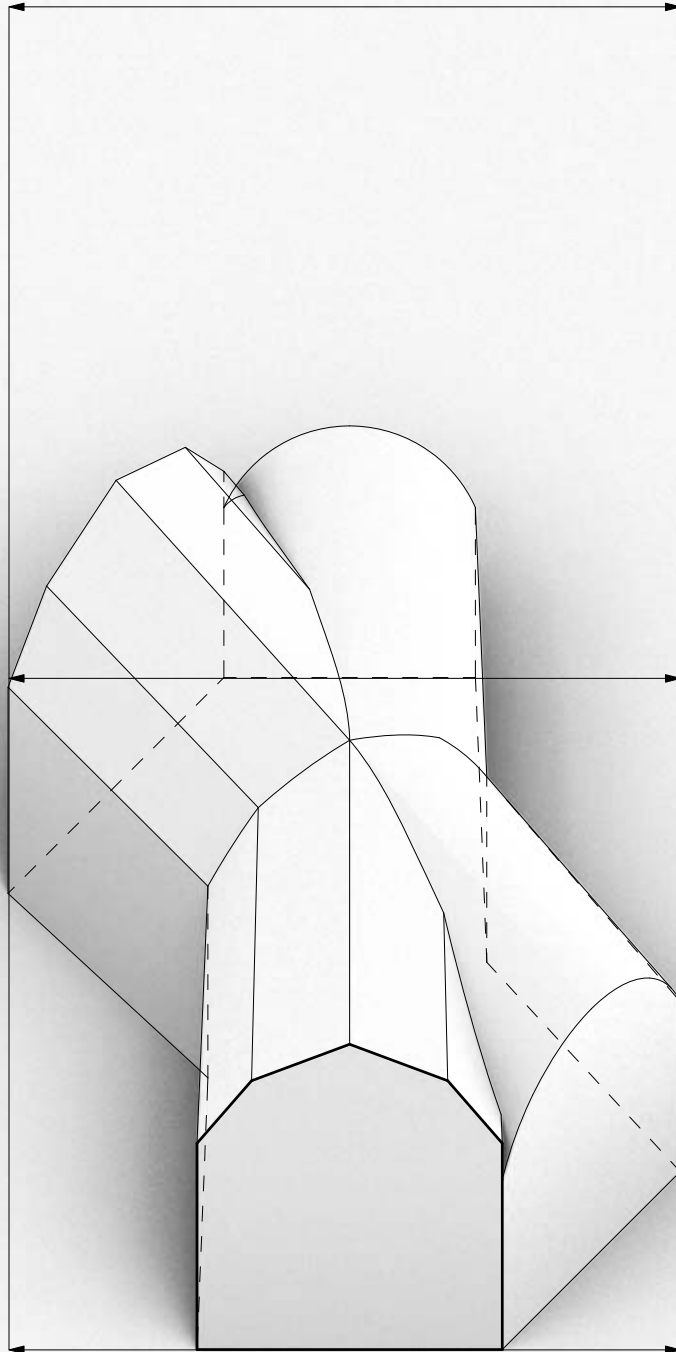


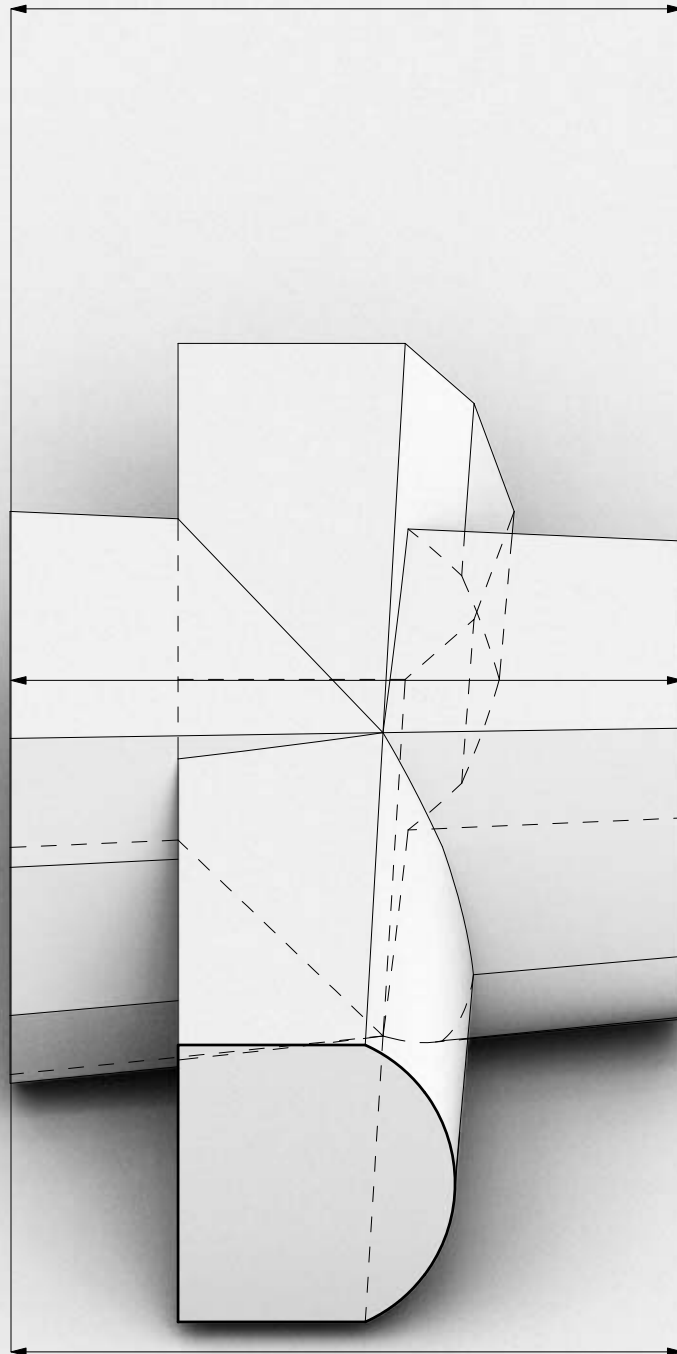


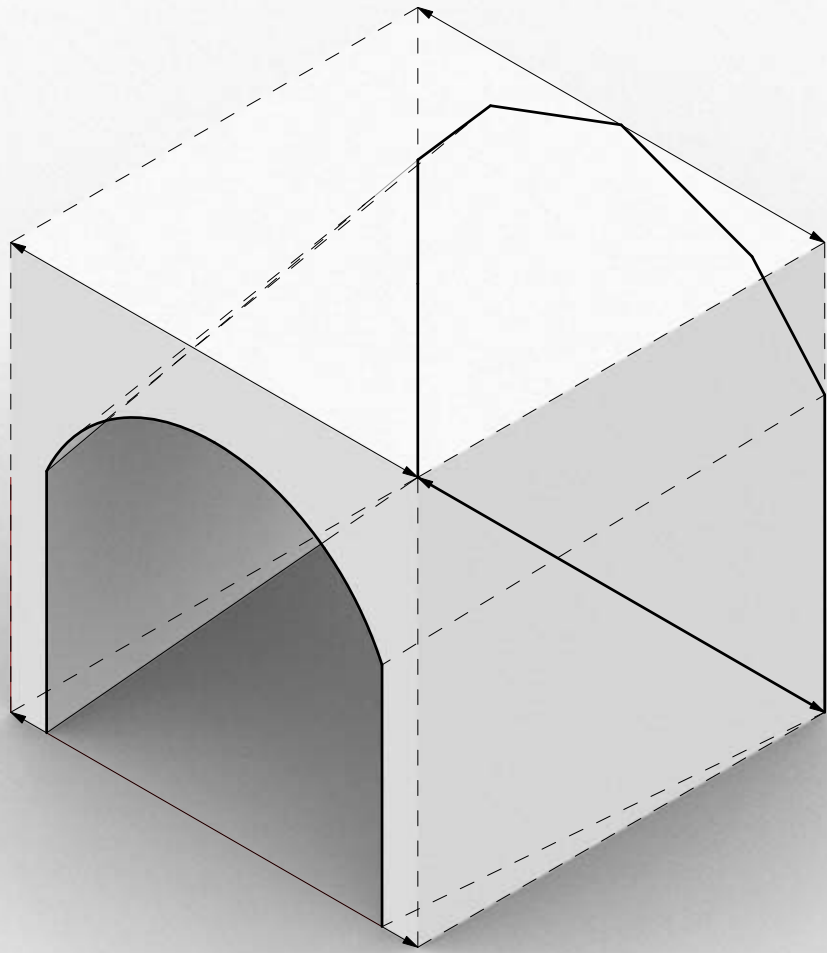


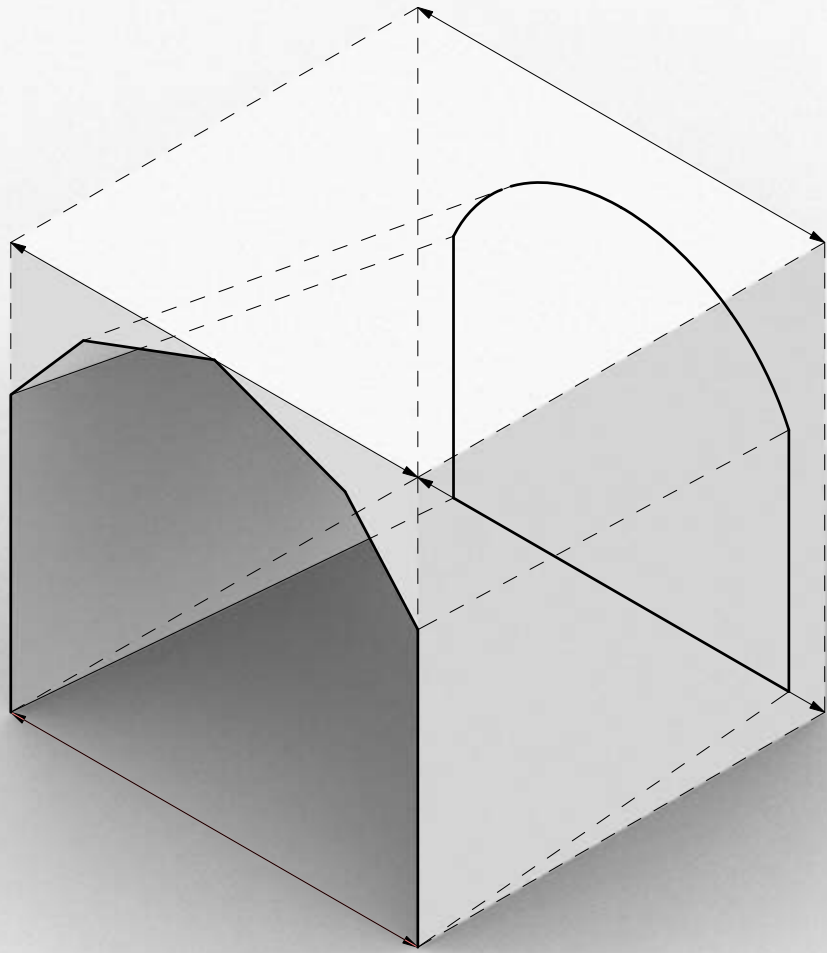


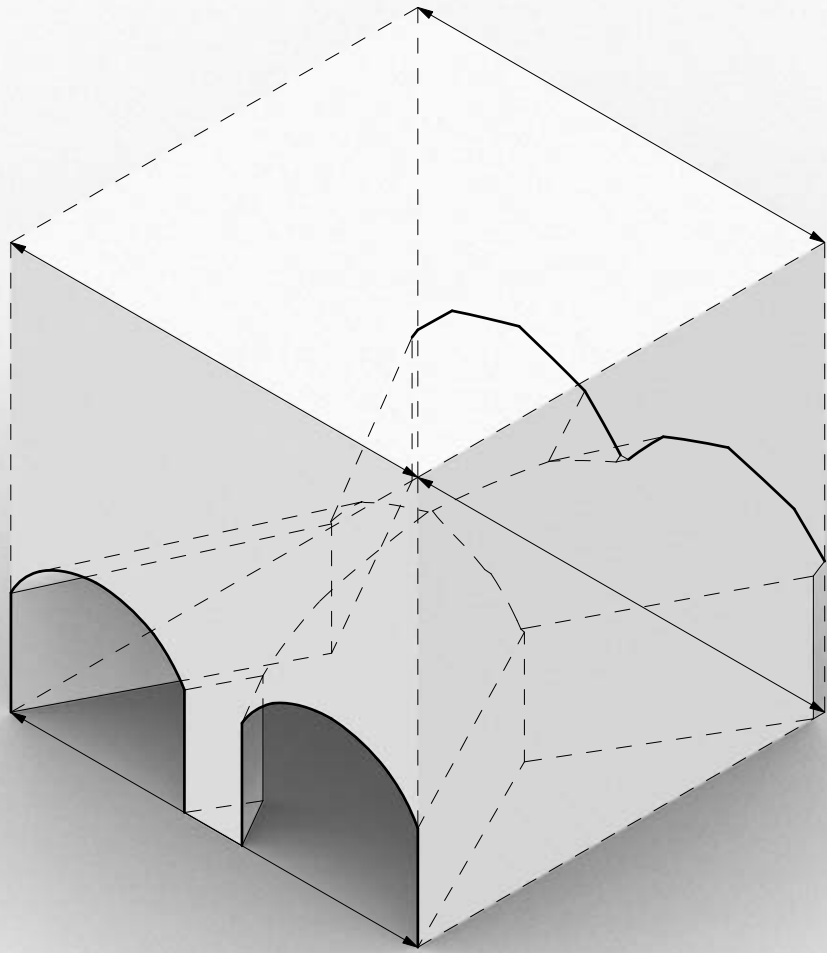


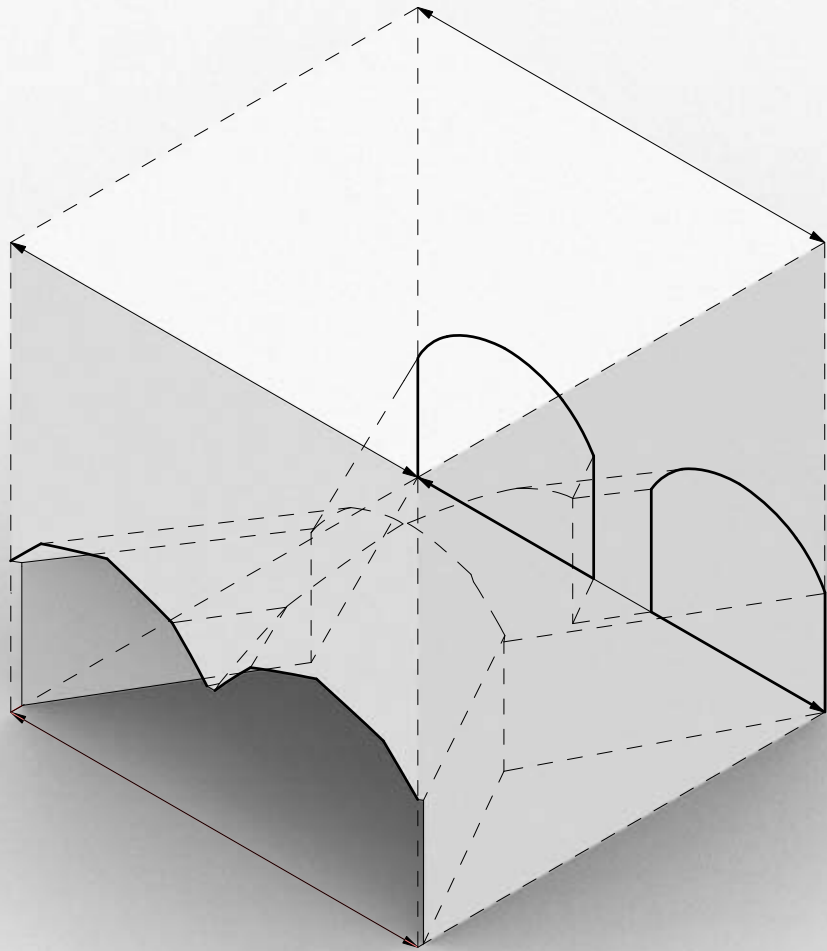






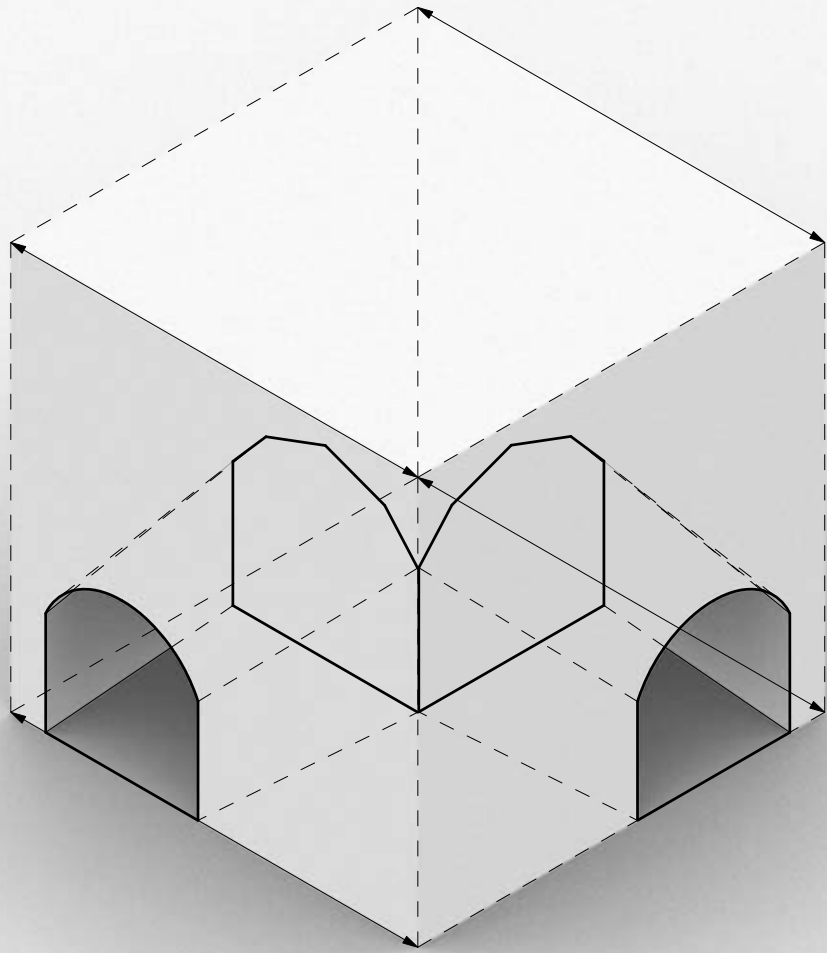


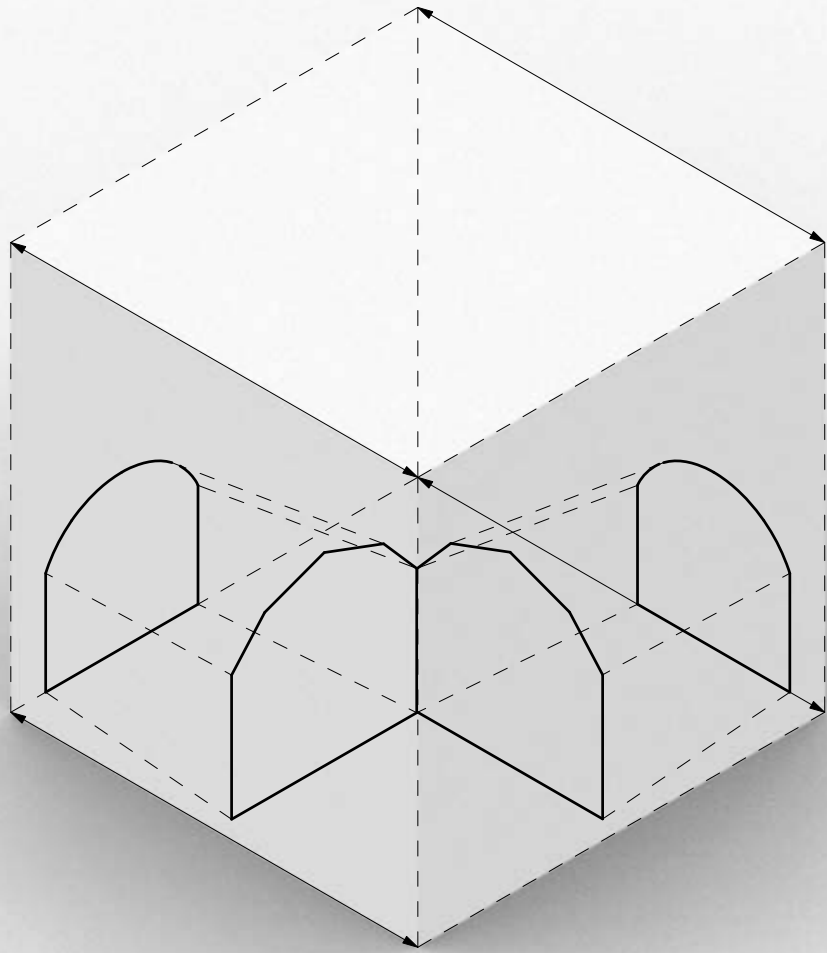




Cave

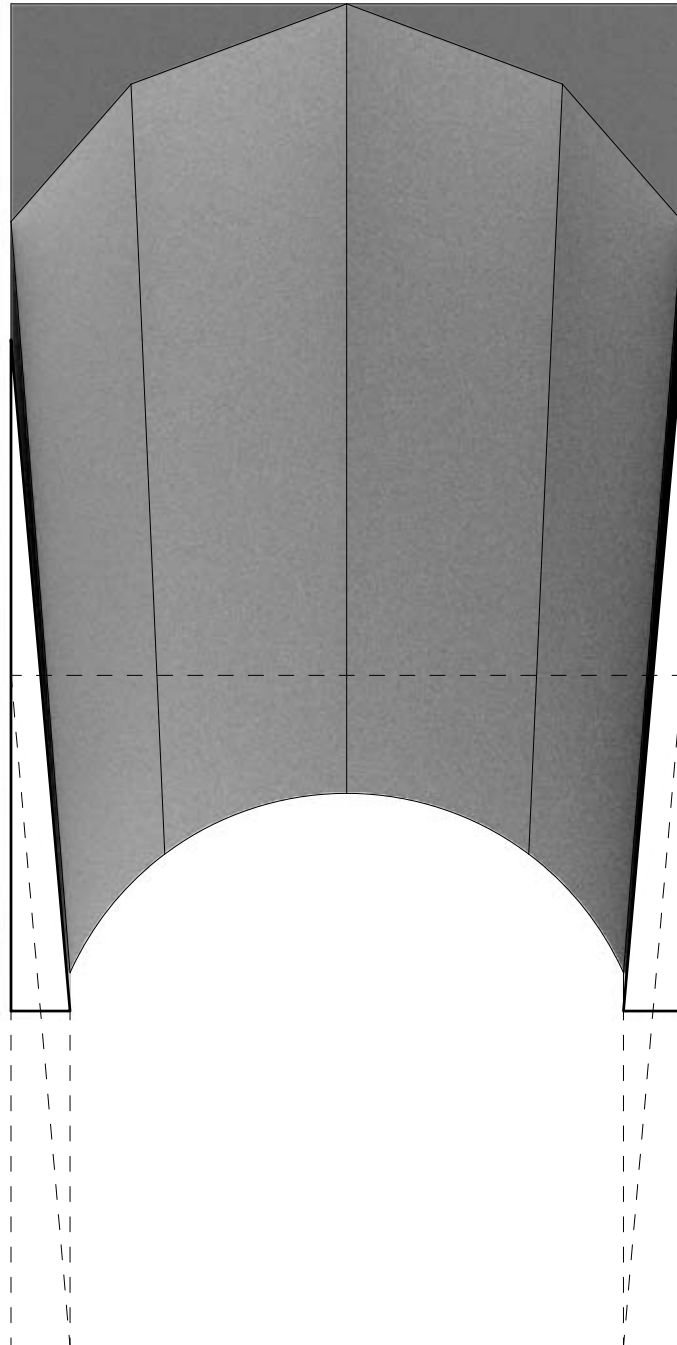
1 Conjoined & 1 Identical





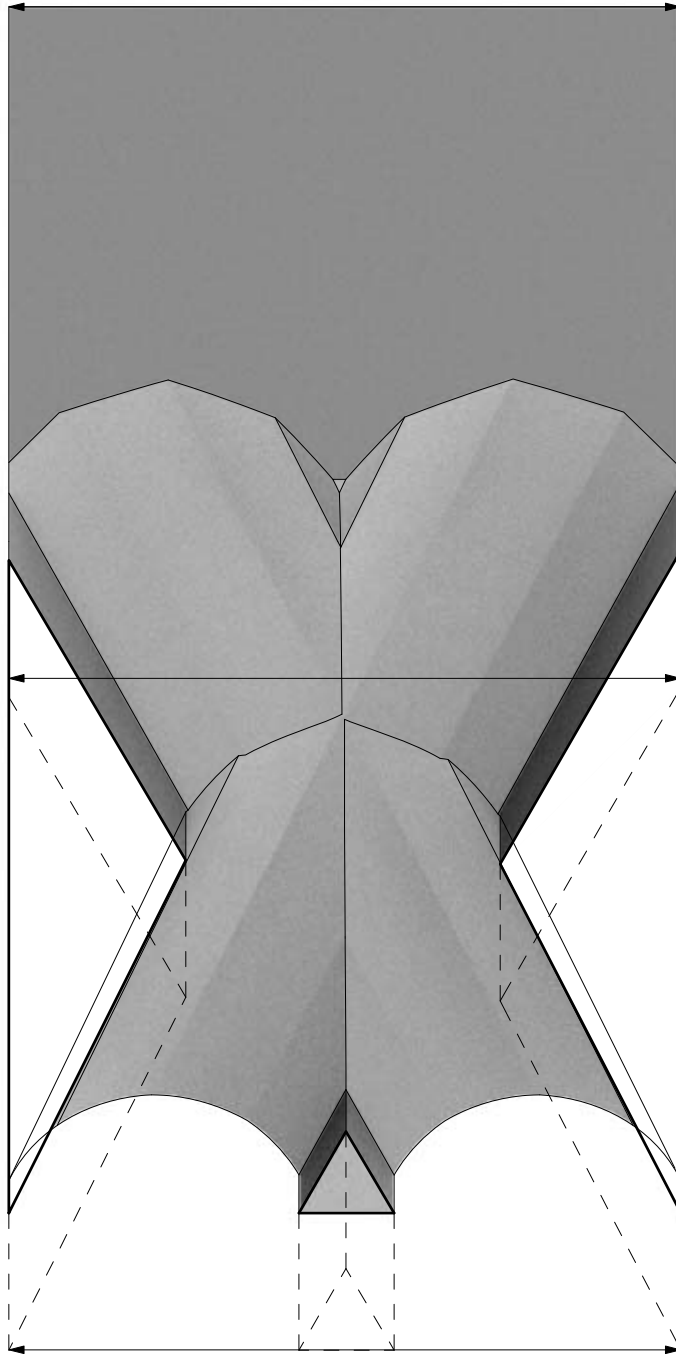
Cave

Identical



Y

A01

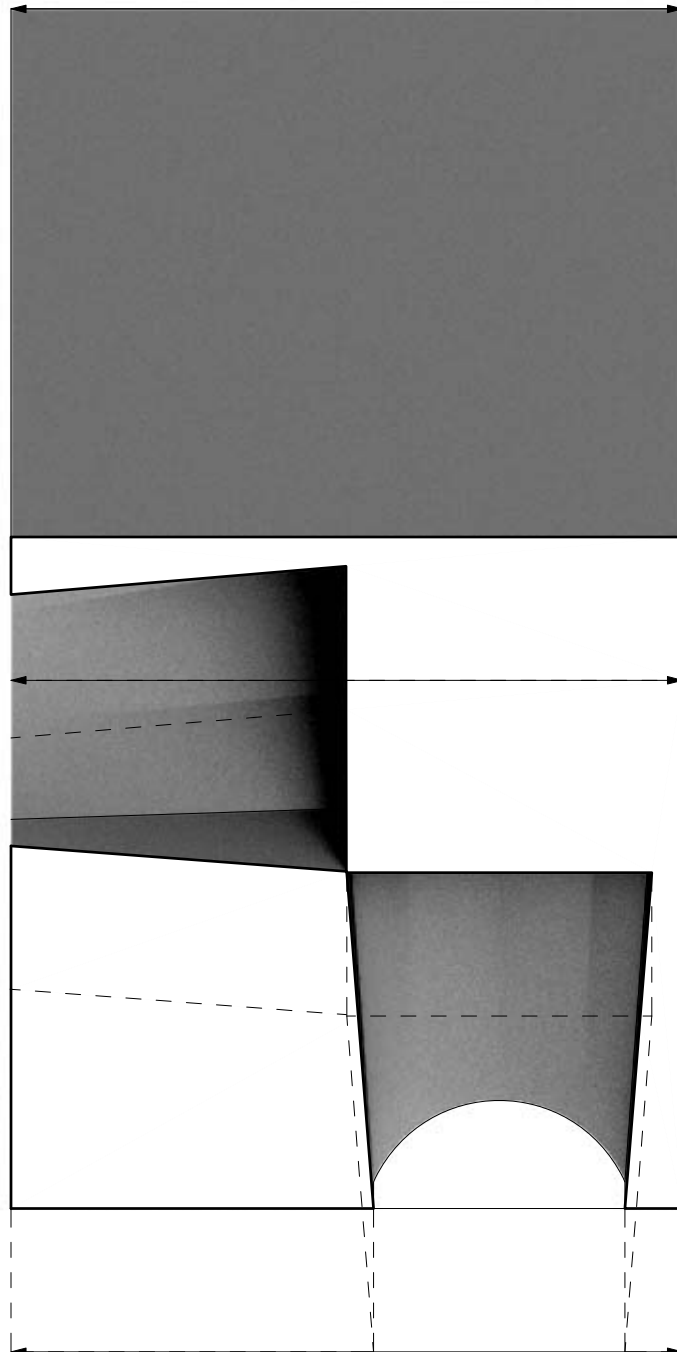


Cave

1 Conjoined & 1 Identical

Y

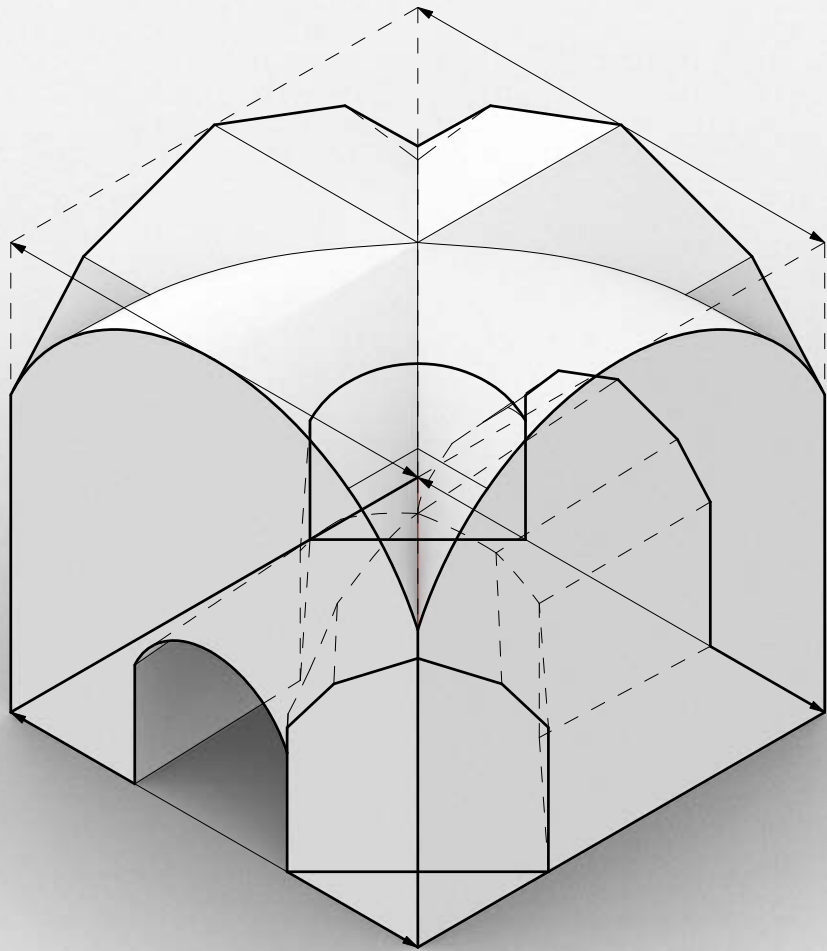
A02

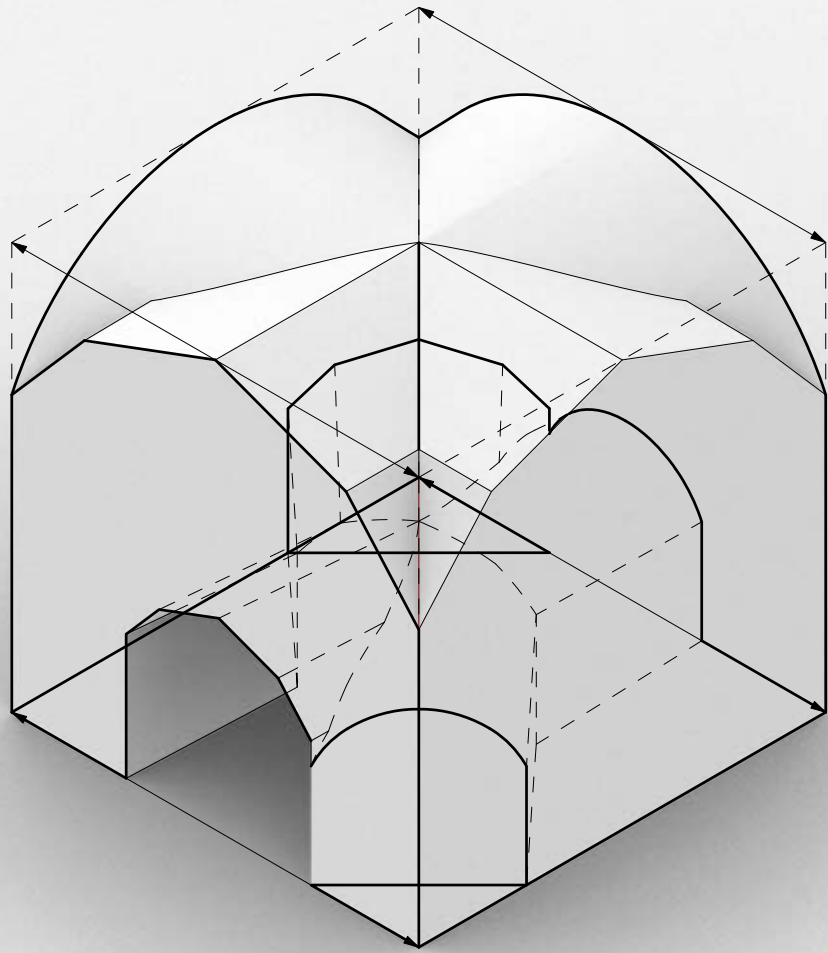


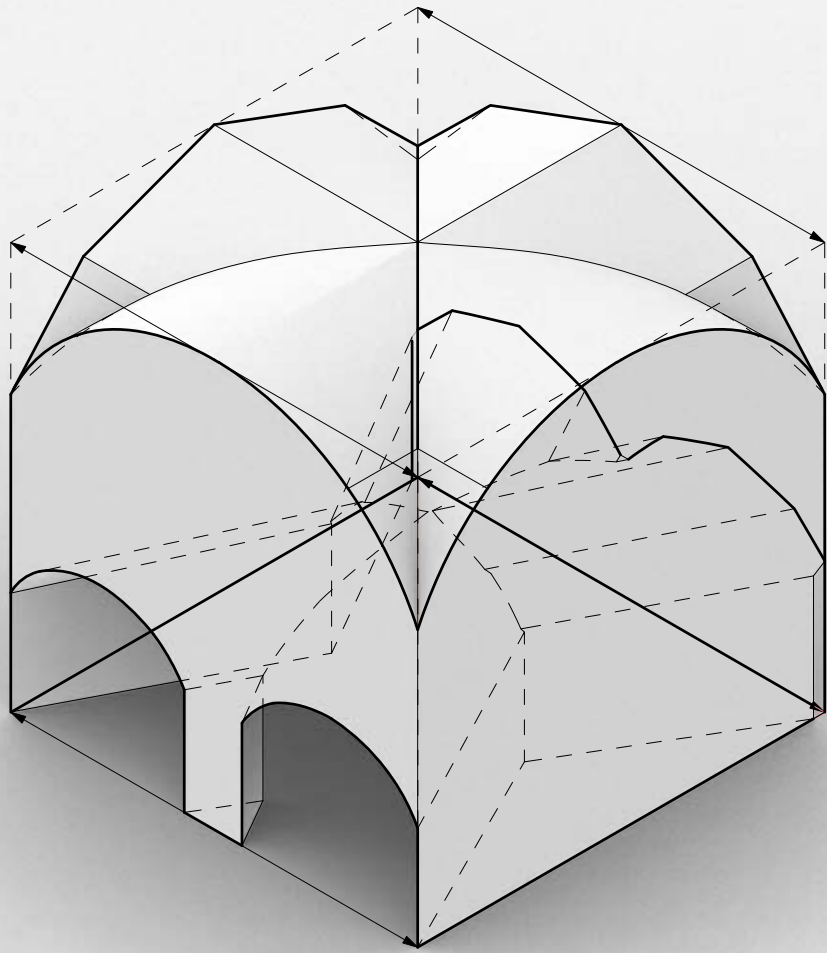
Cave

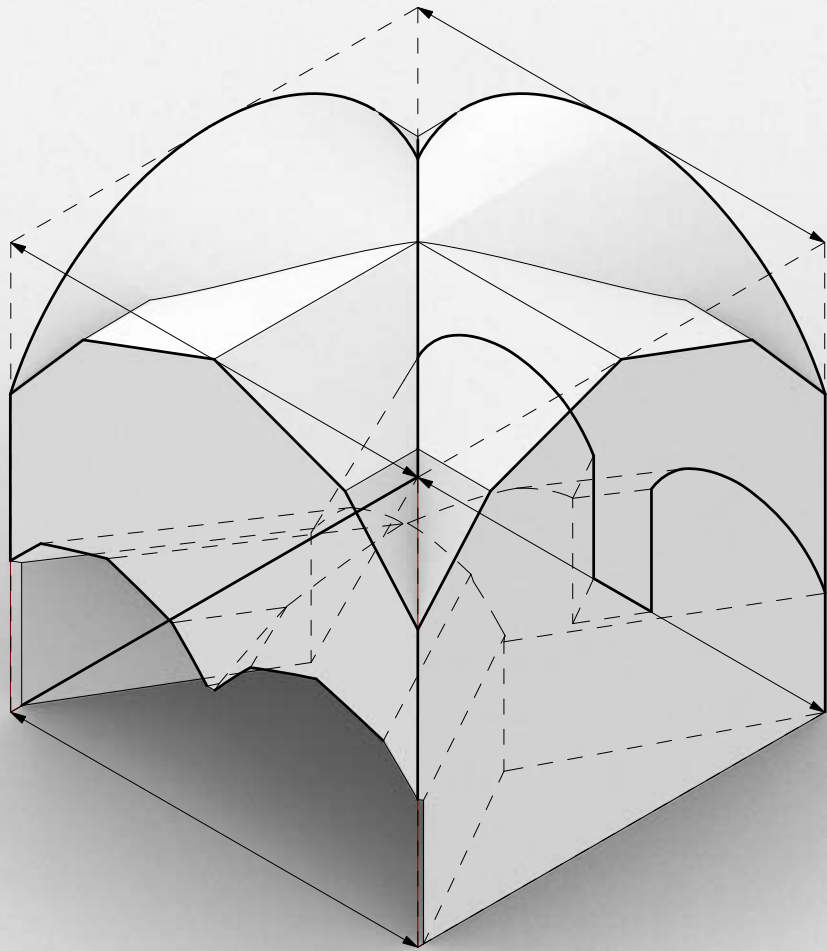
48

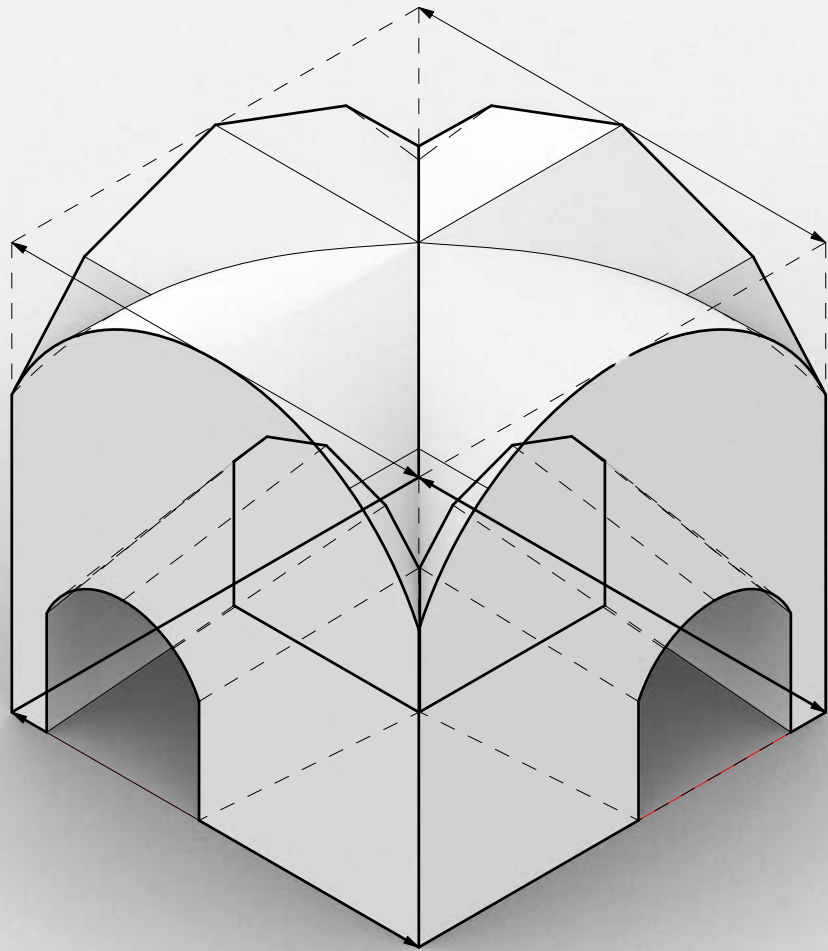
Identical

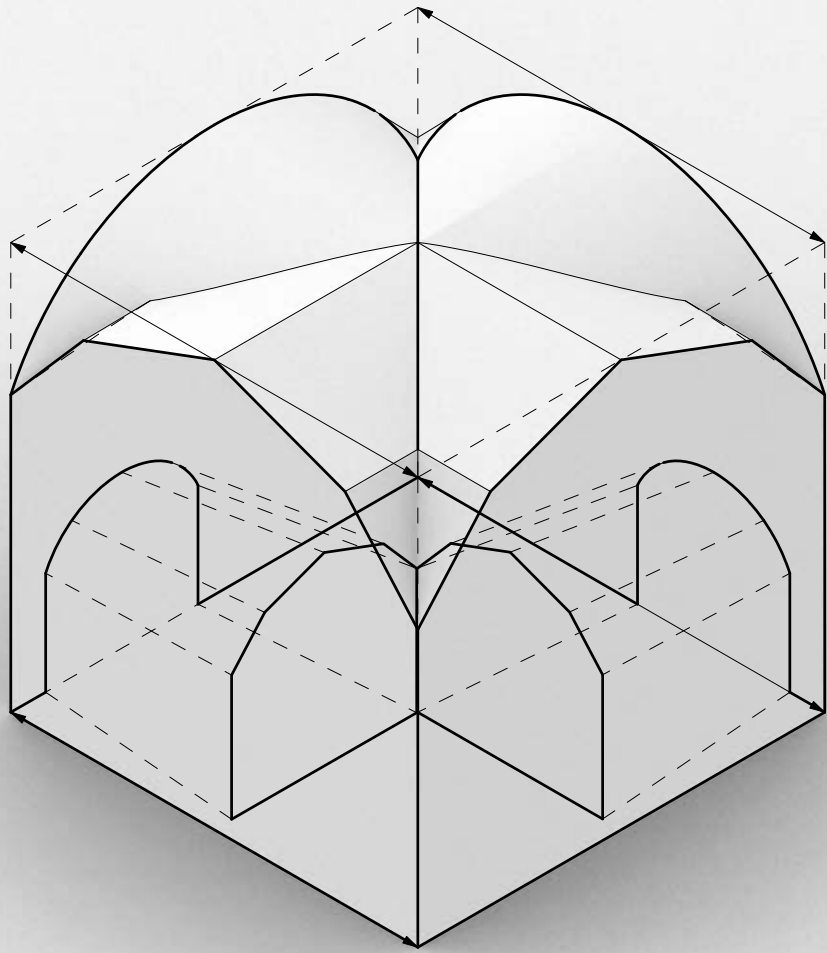


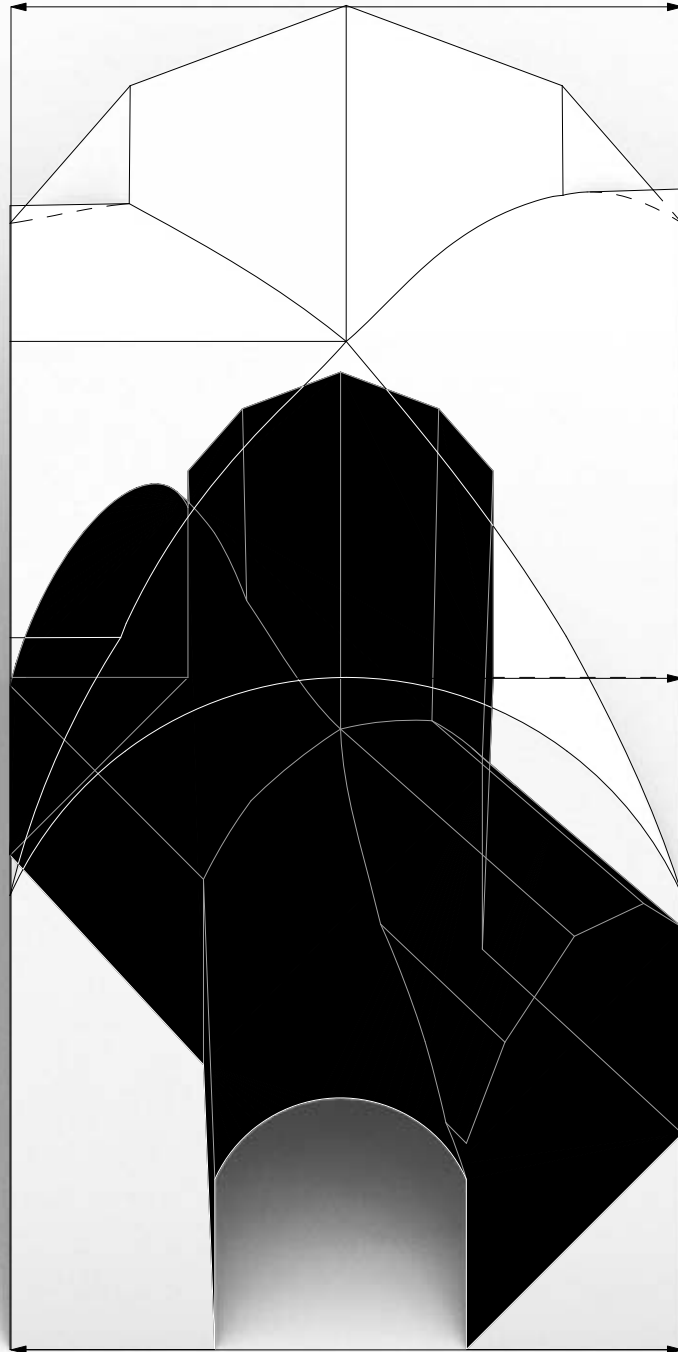


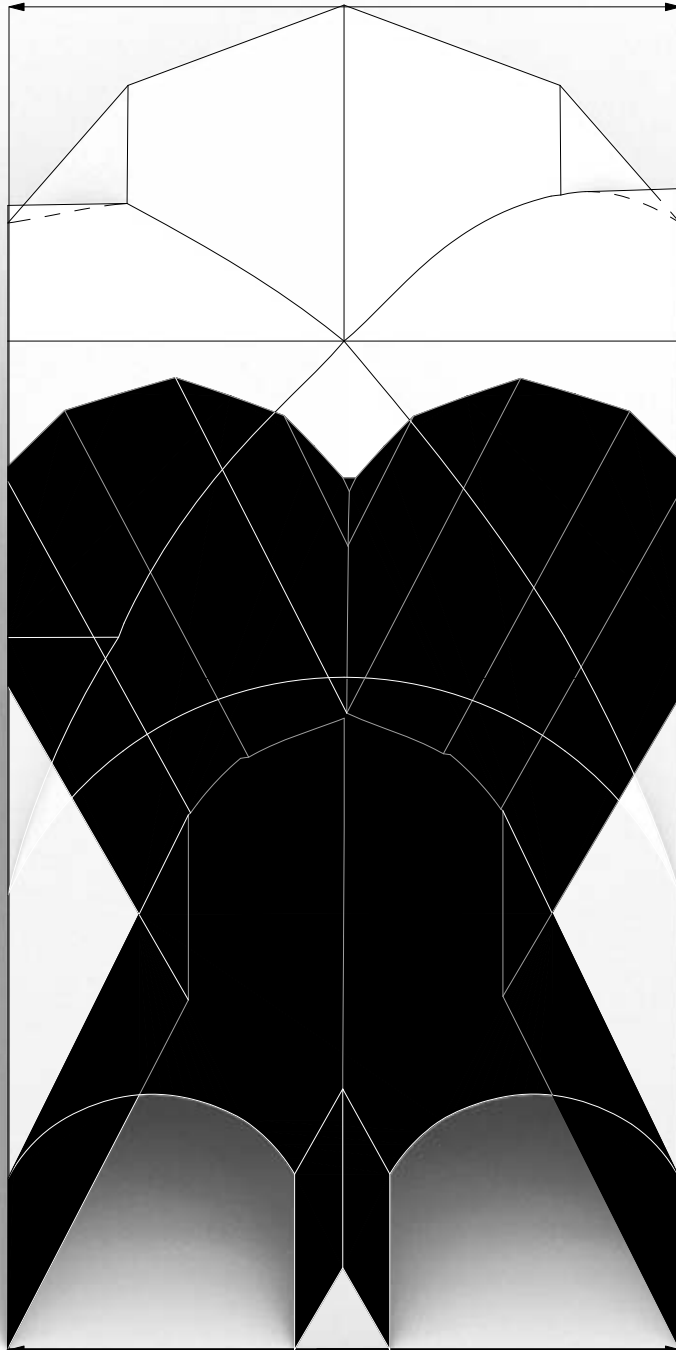


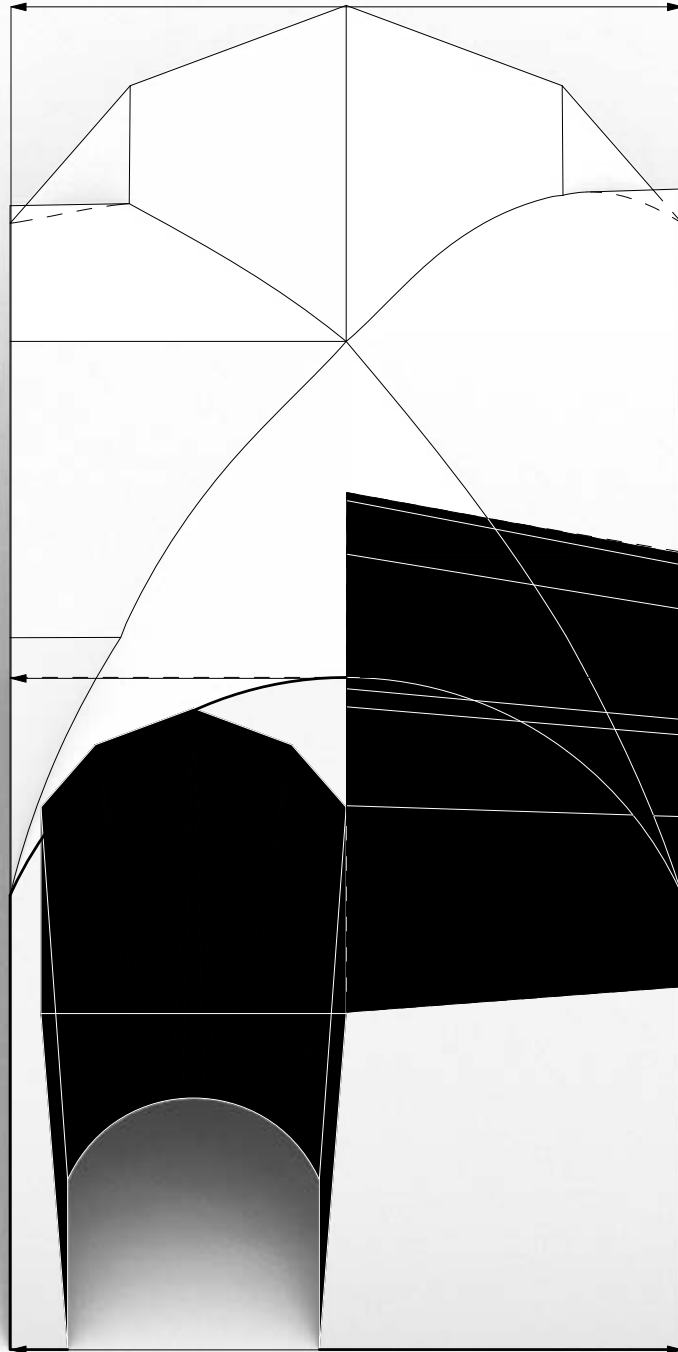












Z

Z

A-002

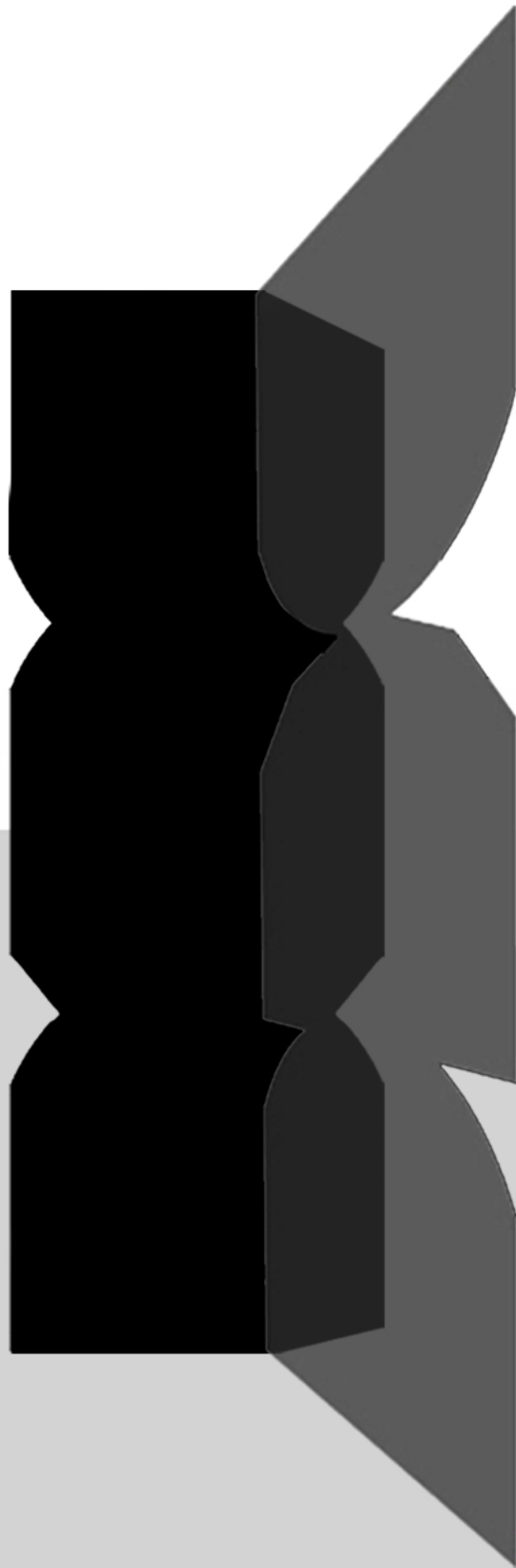


Identical

Simple Cave

Z

B-002



Conjoined
60

Simple Cruciform

